

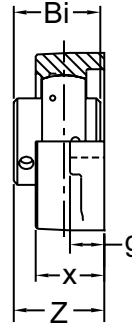
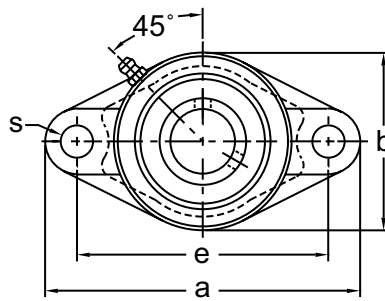


TWO-BOLT FLANGE UNITS

UCFL 200

NORMAL DUTY

**Set-Screw Locking
Wide Inner Ring
Cast Iron Housing
Insert Detail-pg.112-113
Covers Available-pg.59
Inch and Metric**



Shaft Diam. (in.)	AMI Unit #	List Price	Dimensions (in.)								Bolt Size (in.)	Bearing #	Housing #	Weight (lb.)
			a	e	g	x	s	b	Z	Bi				
1/2	UCFL201-8	44.50	4-7/16	3-35/64	15/32	1	15/32	2-3/8	1.311	1.220	3/8	UC201-8	FL204	1.10
5/8	UCFL202-10											UC202-10		1.06
11/16	UCFL203-11											UC203-11		1.04
3/4	UCFL204-12											UC204-12		0.99
7/8	UCFL205-14	49.00	5-1/8	3-57/64	9/16	1-1/16	5/8	2-11/16	1.406	1.339	9/16	UC205-14	FL205	1.39
15/16	UCFL205-15	49.00										UC205-15		
1	UCFL205-16	46.65										UC205-16		
1-1/16	UCFL206-17	64.95	5-13/16	4-39/64	9/16	1-7/32	5/8	3-1/8	1.583	1.500	9/16	UC206-17	FL206	2.12
1-1/8	UCFL206-18											UC206-18		
1-3/16	UCFL206-19											UC206-19		
1-1/4	UCFL206-20											UC206-20		
1-1/4	UCFL207-20	75.45	6-5/16	5-1/8	5/8	1-11/32	5/8	3-9/16	1.748	1.689	9/16	UC207-20	FL207	2.64
1-5/16	UCFL207-21											UC207-21		
1-3/8	UCFL207-22											UC207-22		
1-7/16	UCFL207-23											UC207-23		
1-1/2	UCFL208-24	89.40	6-7/8	5-43/64	5/8	1-13/32	5/8	3-15/16	2.016	1.937	9/16	UC208-24	FL208	3.53
1-9/16	UCFL208-25											UC208-25		
1-5/8	UCFL209-26	99.60	7-3/8	5-53/64	23/32	1-1/2	3/4	4-1/4	2.055	1.937	5/8	UC209-26	FL209	4.19
1-11/16	UCFL209-27											UC209-27		
1-3/4	UCFL209-28											UC209-28		
1-7/8	UCFL210-30	118.35	7-3/4	6-3/16	23/32	1-9/16	3/4	4-1/2	2.150	2.031	5/8	UC210-30	FL210	4.85
1-15/16	UCFL210-31											UC210-31		
2	UCFL210-32											UC210-32		
2	UCFL211-32	146.85	8-13/16	7-1/4	25/32	1-11/16	3/4	5-1/8	2.299	2.189	5/8	UC211-32	FL211	7.05
2-1/8	UCFL211-34											UC211-34		
2-3/16	UCFL211-35											UC211-35		
2-1/4	UCFL212-36	189.85	9-13/16	7-61/64	25/32	1-7/8	29/32	5-1/2	2.705	2.563	3/4	UC212-36	FL212	9.04
2-3/8	UCFL212-38											UC212-38		
2-7/16	UCFL212-39											UC212-39		
2-1/2	UCFL213-40	244.60	10-3/16	8-17/64	15/16	1-31/32	29/32	6-1/8	2.744	2.563	3/4	UC213-40	FL213	11.24
2-11/16	UCFL214-43	294.40	10-7/16	8-1/2	15/16	2-1/8	29/32	6-5/16	2.969	2.937	3/4	UC214-43	FL214	13.22
2-3/4	UCFL214-44											UC214-44		
2-15/16	UCFL215-47	399.10	10-13/16	8-55/64	15/16	2-7/32	29/32	6-1/2	3.091	3.063	3/4	UC215-47	FL215	14.33
3	UCFL215-48											UC215-48		
3-1/4	UCFL217-52	595.50	12	9-49/64	1-1/32	2-15/32	63/64	7-1/2	3.449	3.374	7/8	UC217-52	FL217	20.94
3-7/16	UCFL217-55											UC217-55		
3-1/2	UCFL218-56	717.10	12-5/8	10-7/16	1-1/32	2-11/16	63/64	8-1/16	3.791	3.780	7/8	UC218-56	FL218	26.23
Dimensions (mm)														
12	UCFL201	44.50	113	90	12	25.4	12	60	33.3	31	M10	UC201	FL204	1.12
15	UCFL202											UC202		1.07
17	UCFL203											UC203		1.05
20	UCFL204	44.50	113	90	12	25.4	12	60	33.3	31	M10	UC204	FL204	1.00
25	UCFL205	49.00	130	99	14	27	16	68	35.7	34	M14	UC205	FL205	1.40
30	UCFL206	64.95	148	117	14	31	16	80	40.2	38.1	M14	UC206	FL206	2.14
35	UCFL207	75.45	161	130	16	34	16	90	44.4	42.9	M14	UC207	FL207	2.68
40	UCFL208	89.40	175	144	16	36	16	100	51.2	49.2	M14	UC208	FL208	3.57
45	UCFL209	99.60	188	148	18	38	19	108	52.2	49.2	M16	UC209	FL209	4.24
50	UCFL210	118.35	197	157	18	40	19	115	54.6	51.6	M16	UC210	FL210	4.91
55	UCFL211	146.85	224	184	20	43	19	130	58.4	55.6	M16	UC211	FL211	7.14
60	UCFL212	189.85	250	202	20	48	23	140	68.7	65.1	M20	UC212	FL212	9.14
65	UCFL213	244.60	258	210	24	50	23	155	69.7	65.1	M20	UC213	FL213	11.4
70	UCFL214	294.40	265	216	24	54	23	160	75.4	74.6		UC214	FL214	13.4
75	UCFL215	399.10	275	225	24	56	23	165	78.5	77.8		UC215	FL215	14.5
80	UCFL216	552.10	290	233	24	58	25	180	83.3	82.6	M22	UC216	FL216	17.9
85	UCFL217	595.50	305	248	26	63	25	190	87.6	85.7		UC217	FL217	21.2
90	UCFL218	717.10	320	265	26	68	25	205	96.3	96		UC218	FL218	26.5

Lubrication fitting tap size for 1" and smaller shaft sizes, 1/4-28 UNF; for all other sizes, 1/8-27 NPT

INTERCHANGES: UCFL