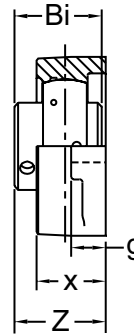
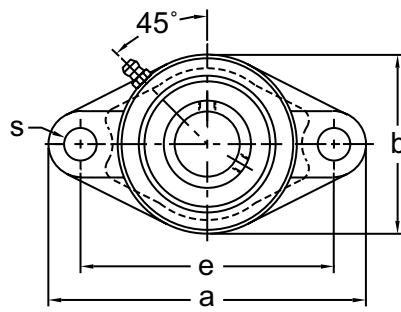




## TWO-BOLT FLANGE UNITS

## UCFL X00

Set-Screw Locking  
Wide Inner Ring  
Cast Iron Housing  
Insert detail-pg.122  
Inch and Metric



Shaft Diam. (in.)	AMI Unit #	List Price	Dimensions (in.)								Bolt Size (in.)	Bearing #	Housing #	Weight (lb.)
			a	e	g	x	s	b	z	Bi				
1	UCFLX05-16	87.00	5-9/16	4-19/32	17/32	1-3/16	1/2	3-1/4	1.579	1.500	7/16	UCX05-16	FT206	2.20
1-1/8	UCFLX06-18	101.70	6-1/8	5-1/8	9/16	1-11/32	35/64	3-3/4	1.752	1.689	1/2	UCX06-18	FT207	3.09
1-3/16	UCFLX06-19													
1-1/4	UCFLX06-20													
1-1/4	UCFLX07-20	127.00	6-3/4	5-21/32	9/16	1-1/2	35/64	4-1/8	2.016	1.937	1/2	UCX07-20	FT208	4.19
1-3/8	UCFLX07-22													
1-7/16	UCFLX07-23													
1-1/2	UCFLX08-24	152.00	7-1/16	5-27/32	9/16	1-9/16	5/8	4-3/8	2.047	1.937	9/16	UCX08-24	FT209	4.41
1-5/8	UCFLX09-26	164.10	7-7/16	6-3/16	9/16	1-9/16	5/8	4-9/16	2.157	2.031	9/16	UCX09-26	FT210	5.29
1-11/16	UCFLX09-27													
1-3/4	UCFLX09-28													
1-7/8	UCFLX10-30	197.00	8-1/2	7-1/4	13/16	1-3/4	21/32	5-1/4	2.315	2.189	5/8	UCX10-30	FT211	7.93
1-15/16	UCFLX10-31													
2	UCFLX10-32													
Dimensions (mm)														
25	UCFLX05	87.00	141	116.7	13	30	12.5	83	40.1	38.1	M10	UCX05	FT206	2.23
30	UCFLX06	101.70	156	130.2	14	34	14	95	44.5	42.9	M12	UCX06	FT207	3.12
35	UCFLX07	127.00	171	143.7	14	38	14	105	51.2	49.2	M12	UCX07	FT208	4.24
40	UCFLX08	152.00	179	148.4	14	40	16	111	52.0	49.2	M14	UCX08	FT209	4.46
45	UCFLX09	164.10	189	157.2	14	40	16	116	54.8	51.6	M14	UCX09	FT210	5.35
50	UCFLX10	197.00	216	184.2	21	44	17	133	58.8	55.6	M16	UCX10	FT211	8.03

Lubrication fitting tap size 1/8-27 NPT

**INTERCHANGES:** VF2S-3 F2B-SCM YCJTM FC2-35 FYTM-TF UCFLX MSFT

MEDIUM DUTY