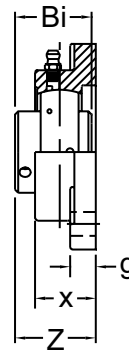
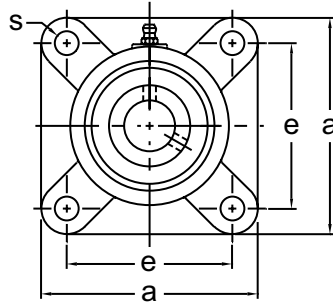


# UCF X00

## FOUR-BOLT FLANGE UNITS



MEDIUM DUTY



**Set-Screw Locking  
Wide Inner Ring  
Cast Iron Housing  
Insert detail-pg.122  
Inch and Metric**

Shaft Diam. (in.)	AMI Unit #	List Price	Dimensions (in.)							Bolt Size (in.)	Bearing #	Housing #	Weight (lb.)
			a	e	g	x	s	Z	Bi				
1	UCFX05-16	87.00	4-1/4	3-1/4	1/2	1-3/16	15/32	1.583	1.500	7/16	UCX05-16	FX05	2.42
1-1/8	UCFX06-18	101.70	4-5/8	3-5/8	9/16	1-11/32	17/32	1.748	1.689	1/2	UCX06-18	FX06	2.87
1-3/16	UCFX06-19												
1-1/4	UCFX06-20												
1-1/4	UCFX07-20	127.00	5-1/8	4	9/16	1-1/2	17/32	2.016	1.937	1/2	UCX07-20	FX07	3.97
1-3/8	UCFX07-22												
1-7/16	UCFX07-23												
1-1/2	UCFX08-24	152.00	5-3/8	4-1/8	3/4	1-9/16	19/32	2.055	1.937	9/16	UCX08-24	FX08	3.97
1-5/8	UCFX09-26	164.10	5-5/8	4-3/8	23/32	1-9/16	19/32	2.189	2.031	9/16	UCX09-26	FX09	5.29
1-11/16	UCFX09-27												
1-3/4	UCFX09-28												
1-7/8	UCFX10-30	197.00	6-3/8	5-1/8	25/32	1-3/4	21/32	2.339	2.189	5/8	UCX10-30	FX10	7.93
1-15/16	UCFX10-31												
2	UCFX10-32												
2	UCFX11-32	263.00	6-7/8	5-5/8	25/32	1-15/16	21/32	2.705	2.563	5/8	UCX11-32	FX11	9.92
2-3/16	UCFX11-35												
2-1/4	UCFX11-36												
2-3/8	UCFX12-38	315.10	7-3/8	5-7/8	13/16	2-5/16	21/32	2.902	2.563	5/8	UCX12-38	FX12	11.68
2-7/16	UCFX12-39												
2-1/2	UCFX13-40												
2-1/2	UCFX13-40	360.20	7-3/8	5-7/8	13/16	2-5/16	21/32	3.087	2.937	5/8	UCX13-40	FX13	12.12
2-11/16	UCFX14-43	426.60	7-3/4	6	15/16	2-3/8	25/32	3.209	3.063	3/4	UCX14-43	FX14	16.97
2-3/4	UCFX14-44												
2-15/16	UCFX15-47	484.80	7-3/4	6	15/16	2-11/16	25/32	3.516	3.252	3/4	UCX15-47	FX15	16.97
3	UCFX15-48												
3-3/16	UCFX16-51	655.70	8-7/16	6-3/4	15/16	2-3/4	25/32	3.606	3.374	3/4	UCX16-51	FX16	22.48
3-1/4	UCFX17-52	702.00	8-7/16	6-3/4	15/16	2-3/4	25/32	3.791	3.780	3/4	UCX17-52	FX17	22.48
3-7/16	UCFX17-55												
3-1/2	UCFX18-56	914.00	8-7/16	6-3/4	15/16	3	25/32	4.177	4.094	3/4	UCX18-56	FX18	23.36
3-15/16	UCFX20-63	1240.00	10-9/16	8-5/16	1-7/32	3-13/16	1-1/32	5.012	4.626	1	UCX20-63	FX20	37.03
4	UCFX20-64												

Dimensions (mm)													
25	UCFX05	87.00	108	83	13	30	12	40.2	38.1	M10	UCX05	FX05	2.42
30	UCFX06	101.70	117	92	14	34	13.5	44.4	42.9	M12	UCX06	FX06	2.87
35	UCFX07	127.00	130	102	14	38	13.5	51.2	49.2	M12	UCX07	FX07	3.97
40	UCFX08	152.00	137	105	19	40	15	52.2	49.2	M14	UCX08	FX08	3.97
45	UCFX09	164.10	143	111	18	40	15	55.6	51.6	M14	UCX09	FX09	5.29
50	UCFX10	197.00	162	130	20	44	17	59.4	55.6	M16	UCX10	FX10	7.93
55	UCFX11	263.00	175	143	20	49	17	68.7	65.1	M16	UCX11	FX11	9.92
60	UCFX12	315.10	187	149	21	59	17	73.7	65.1		UCX12	FX12	11.68
65	UCFX13	360.20	187	149	21	59	17	78.4	74.6		UCX13	FX13	12.12
70	UCFX14	426.60	197	152	24	60	20	81.5	77.8	M18	UCX14	FX14	16.97
75	UCFX15	484.80	197	152	24	68	20	89.3	82.6		UCX15	FX15	16.97
80	UCFX16	655.70	214	171	24	70	20	91.6	85.7		UCX16	FX16	22.48
85	UCFX17	702.00	214	171	24	70	20	96.3	96	M18	UCX17	FX17	22.48
90	UCFX18	914.00	214	171	24	76	20	106.1	104	M18	UCX18	FX18	23.36
100	UCFX20	1240.00	268	211	31	97	26	127.3	117.5	M24	UCX20	FX20	37.03

Lubrication fitting tap size 1/8-27 NPT

**INTERCHANGES: VF4S-3 F4B-SCM TCJM FC4-35 FYM-TF UCFX MSF**