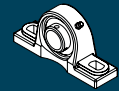
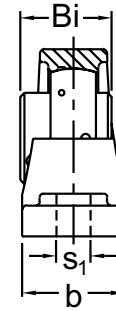
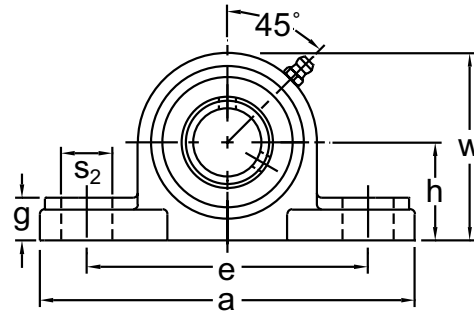


# UCLP 200

## LOW BASE PILLOW BLOCKS



NORMAL DUTY



**Set-Screw Locking  
Wide Inner Ring  
Cast Iron Housing  
Low Shaft Height  
Insert detail-pg.112-113  
Covers Available-pg.59  
Inch and Metric**

Shaft Diam. (in.)	AMI Unit #	List Price	Dimensions (in.)											Bolt Size (in.)	Bearing #	Housing #	Weight (lb.)
			h	a	e		b	s <sub>1</sub>	s <sub>2</sub>	g	w	Bi					
					Min.	Max.											
1/2	UCLP201-8	44.50	1-1/16	4-3/4	3-1/4	3-3/4	1-1/8	1/2	5/8	1/2	2-3/16	1.024	3/8	UCW201-8	LP203	1.10	
9/16	UCLP202-9				3-1/2	3-1/2								UCW202-9		1.08	
5/8	UCLP202-10				3-1/2	3-1/2								UCW202-10		1.08	
11/16	UCLP203-11				3-1/2	3-1/2								UCW203-11		1.06	
3/4	UCLP204-12	44.50	1-1/4	5-1/4	3-1/2	4-1/4	1-1/4	1/2	3/4	1/2	2-9/16	1.220	3/8	UC204-12	LP204	1.48	
7/8	UCLP205-14	49.00	1-5/16	5-1/2	3-3/4	4-1/2	1-1/2	1/2	3/4	5/8	2-11/16	1.339	3/8	UC205-14	LP205	1.76	
15/16	UCLP205-15	49.00												UC205-15		1.76	
1	UCLP205-16	46.65												UC205-16		1.76	
1-1/16	UCLP206-17	64.95	1-9/16	6-1/2	4-1/2	5-1/4	1-5/8	19/32	7/8	11/16	3-3/16	1.500	1/2	UC206-17	LP206	2.64	
1-1/8	UCLP206-18													UC206-18			
1-3/16	UCLP206-19													UC206-19			
1-1/4	UCLP206-20													UC206-20			
1-1/4	UCLP207-20	75.45	1-13/16	7	5	5-3/4	1-7/8	19/32	7/8	3/4	3-11/16	1.689	1/2	UC207-20	LP207	4.19	
1-5/16	UCLP207-21													UC207-21			
1-3/8	UCLP207-22													UC207-22			
1-7/16	UCLP207-23													UC207-23			
1-1/2	UCLP208-24	89.40	1-15/16	7-1/4	5-1/4	6	2	19/32	7/8	13/16	3-15/16	1.937	1/2	UC208-24	LP208	4.85	
1-9/16	UCLP208-25													UC208-25			
1-5/8	UCLP209-26	99.60	2-1/16	7-3/4	5-1/2	6-1/2	2-1/8	19/32	1	13/16	4-3/16	1.937	1/2	UC209-26	LP209	5.29	
1-11/16	UCLP209-27													UC209-27			
1-3/4	UCLP209-28													UC209-28			
1-7/8	UCLP210-30	118.35	2-3/16	8-3/8	6	7	2-1/4	19/32	1	7/8	4-7/16	2.031	1/2	UC210-30	LP210	6.39	
1-15/16	UCLP210-31													UC210-31			
2	UCLP210-32													UC210-32			
2	UCLP211-32	146.85	2-7/16	9-1/4	6-5/8	7-5/8	2-1/2	3/4	1-1/8	1	4-15/16	2.189	5/8	UC211-32	LP211	8.82	
2-1/8	UCLP211-34													UC211-34			
2-3/16	UCLP211-35													UC211-35			
2-1/4	UCLP212-36	189.85	2-11/16	9-3/4	7-1/8	8-1/8	2-3/4	3/4	1-1/8	1-1/8	5-7/16	2.563	5/8	UC212-36	LP212	11.68	
2-3/8	UCLP212-38													UC212-38			
2-7/16	UCLP212-39													UC212-39			
2-1/2	UCLP213-40	244.60	2-11/16	9-3/4	7-1/8	8-1/8	2-3/4	3/4	1-1/8	1-1/8	5-7/16	2.563	5/8	UC213-40	LP213	11.24	

Dimensions (mm)																	
12	UCLP201	44.50	27	121	83	95	29	12	16	13	56	26	M10	UCW201	LP203	1.10	
15	UCLP202				83	95								UCW202		1.08	
17	UCLP203				83	95								UCW203		1.06	
20	UCLP204	44.50	31.8	133	89	108	32	12	19	13	65	31	M10	UC204	LP204	1.48	
25	UCLP205	49.00	33.3	140	95	114	38	12	19	16	68	34	M10	UC205	LP205	1.76	
30	UCLP206	64.95	39.7	165	114	133	41	15	22	17	81	38.1	M12	UC206	LP206	2.64	
35	UCLP207	75.45	46	178	127	146	48	15	22	19	94	42.9	M12	UC207	LP207	4.19	
40	UCLP208	89.40	49.2	184	133	152	51	15	22	21	100	49.2	M12	UC208	LP208	4.85	
45	UCLP209	99.60	52.4	197	140	165	54	15	25	21	106	49.2	M12	UC209	LP209	5.29	
50	UCLP210	118.35	55.6	213	152	178	57	15	25	22	113	51.6	M12	UC210	LP210	6.39	
55	UCLP211	146.85	61.9	235	168	194	64	19	29	25	125	55.6	M16	UC211	LP211	8.82	
60	UCLP212	189.85	68.3	248	181	206	70	19	29	29	138	65.1	M16	UC212	LP212	11.68	
65	UCLP213	244.60	68.3	248	181	206	70	19	29	29	138	65.1	M16	UC213	LP213	11.24	

Lubrication fitting tap size for 1" and smaller shaft sizes, 1/4-28 UNF; for all other sizes, 1/8-27 NPT

**INTERCHANGES: VPLS-2 P2B-SCB YAK PL3U-N CL25 SYH-TF UCLP NPL**