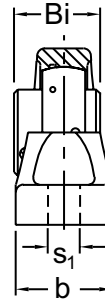
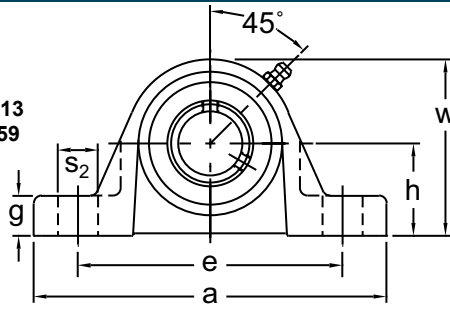


PILLOW BLOCKS

UCP 200

NORMAL DUTY

Set-Screw Locking
Wide Inner Ring
Cast Iron Housing
Insert Detail-pg.112-113
Covers Available-pg.59
Inch and Metric



Shaft Diam. (in.)	AMI Unit #	List Price	Dimensions (in.)										Bolt Size (in.)	Bearing #	Housing #	Weight (lb.)	
			h	a	e		b	s1	s2	g	w	Bi					
					Min.	Max.											
1/2	UCP201-8	44.50	1-3/16	5	3-3/8	4-1/8	1-1/2	1/2	3/4	19/32	2-7/16	1.220	3/8	UC201-8	P203T	1.43	
5/8	UCP202-10													UC202-10		1.39	
11/16	UCP203-11													UC203-11		1.37	
3/4	UCP204-12	44.50	1-5/16	5	3-3/8	4-1/8	1-1/2	1/2	3/4	19/32	2-9/16	1.220	3/8	UC204-12	P204T	1.43	
7/8	UCP205-14	49.00	1-7/16	5-1/2	3-3/4	4-1/2	1-1/2	1/2	3/4	5/8	2-3/4	1.339	3/8	UC205-14	P205T	1.74	
15/16	UCP205-15	49.00												UC205-15			
1	UCP205-16	46.65												UC205-16			
1-1/16	UCP206-17	64.95	1-11/16	6-1/2	4-7/16	5-1/16	1-7/8	21/32	13/16	23/32	3-9/32	1.500	1/2	UC206-17	P206T	2.87	
1-1/8	UCP206-18													UC206-18			
1-3/16	UCP206-19													UC206-19			
1-1/4	UCP206-20													UC206-20			
1-1/4	UCP207-20	75.45	1-7/8	6-9/16	4-11/16	5-5/16	1-7/8	21/32	13/16	3/4	3-11/16	1.689	1/2	UC207-20	P207T	3.53	
1-5/16	UCP207-21													UC207-21			
1-3/8	UCP207-22													UC207-22			
1-7/16	UCP207-23													UC207-23			
1-1/2	UCP208-24	89.40	1-15/16	7-1/4	4-7/8	5-7/8	2-1/8	21/32	1	3/4	3-15/16	1.937	1/2	UC208-24	P208T	4.41	
1-9/16	UCP208-25													UC208-25			
1-1/2	UCP209-24	99.60	2-1/8	7-1/2	5-3/8	6-1/8	2-1/8	21/32	7/8	25/32	4-1/4	1.937	1/2	UCX08-24	P209T	5.07	
1-5/8	UCP209-26													UC209-26		5.35	
1-11/16	UCP209-27													UC209-27		5.35	
1-3/4	UCP209-28													UC209-28		5.35	
1-7/8	UCP210-30	118.35	2-1/4	8-1/8	5-7/8	6-5/8	2-3/8	25/32	1	7/8	4-1/2	2.031	5/8	UC210-30	P210T	5.95	
1-15/16	UCP210-31													UC210-31			
2	UCP210-32													UC210-32			
2	UCP211-32	146.85	2-1/2	8-5/8	6-3/8	7-1/8	2-3/8	25/32	1	7/8	4-31/32	2.189	5/8	UC211-32	P211T	7.27	
2-1/8	UCP211-34													UC211-34			
2-3/16	UCP211-35													UC211-35			
2-1/4	UCP212-36	189.85	2-3/4	9-1/2	6-7/8	7-5/8	2-3/4	25/32	1	1	5-7/16	2.563	5/8	UC212-36	P212T	10.36	
2-3/8	UCP212-38													UC212-38			
2-7/16	UCP212-39													UC212-39			
2-1/2	UCP213-40	244.60	3	10-7/16	7-19/32	8-13/32	2-3/4	1	1-5/32	1-1/16	5-29/32	2.563	3/4	UC213-40	P213T	12.34	
2-11/16	UCP214-43	294.40	3-1/8	10-1/2	7-25/32	8-23/32	2-13/16	1	1-7/32	1-1/16	6-5/32	2.937	3/4	UC214-43	P214T	16.09	
2-3/4	UCP214-44													UC214-44			
2-15/16	UCP215-47	399.10	3-1/4	10-13/16	8-1/32	8-31/32	2-15/16	1	1-7/32	1-3/32	6-13/32	3.063	3/4	UC215-47	P215T	17.41	
3	UCP215-48													UC215-48			
3-1/4	UCP217-52	595.50	3-3/4	12-3/16	9-9/32	10-7/32	3-1/4	1	1-7/32	1-1/4	7-3/8	3.374	3/4	UC217-52	P217	26.89	
3-7/16	UCP217-55													UC217-55			
3-1/2	UCP218-56	717.10	4	12-7/8	9-13/16	10-11/16	3-1/2	1-1/16	1-5/16	1-11/32	7-7/8	3.780	7/8	UC218-56	P218	32.40	
Dimensions (mm)																	
12	UCP201	44.50	30.2	127	86	105	38	13	19	15	62	31	M10	UC201	P203T	1.45	
15	UCP202													UC202		1.40	
17	UCP203													UC203		1.38	
20	UCP204	44.50	33.3	127	86	105	38	13	19	15	65	31	M10	UC204	P204T	1.45	
25	UCP205	49.00	36.5	140	95	114	38	13	19	16	70	34	M10	UC205	P205T	1.76	
30	UCP206	64.95	42.9	165	113	129	48	17	21	18	83	38.1	M14	UC206	P206T	2.90	
35	UCP207	75.45	47.6	167	119	135	48	17	21	19	94	42.9	M14	UC207	P207T	3.57	
40	UCP208	89.40	49.2	184	124	149	54	17	25	19	100	49.2	M14	UC208	P208T	4.46	
45	UCP209	99.60	54	190	137	156	54	17	22	20	108	49.2	M14	UC209	P209T	5.13	
50	UCP210	118.35	57.2	206	149	168	60	20	25	22	114	51.6	M16	UC210	P210T	6.02	
55	UCP211	146.85	63.5	219	162	181	60	20	25	22	126	55.6	M16	UC211	P211T	7.36	
60	UCP212	189.85	69.8	241	175	194	70	20	25	25	138	65.1	M16	UC212	P212T	10.5	
65	UCP213	244.60	76.2	265	193	214	70	25	29	27	150	65.1	M20	UC213	P213T	12.5	
70	UCP214	294.40	79.4	266	198	222	72	25	31	27	156	74.6	M20	UC214	P214T	16.3	
75	UCP215	399.10	82.6	275	204	228	74	25	31	28	163	77.8	M20	UC215	P215T	17.6	
80	UCP216	552.10	88.9	292	220	244	78	25	31	30	175	82.6	M20	UC216	P216	22.3	
85	UCP217	595.50	95.2	310	236	260	83	25	31	32	187	85.7	M20	UC217	P217	27.2	
90	UCP218	717.10	101.6	327	249	272	88	27	33	34	200	96	M22	UC218	P218	32.8	

Lubrication fitting tap size for 1" and smaller shaft sizes, 1/4-28 UNF; for all other sizes, 1/8-27 NPT

INTERCHANGES: VPS-2 P2B-SC YAS P3U-N SY-TF UCP NP