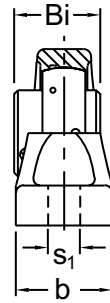
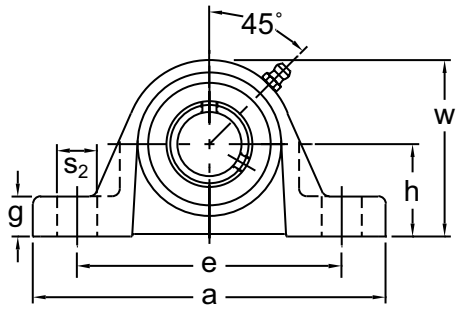


PILLOW BLOCKS

UCP X00

Set-Screw Locking
Wide Inner Ring
Cast Iron Housing
Insert detail-pg.122
Inch and Metric



Shaft Diam. (in.)	AMI Unit #	List Price	Dimensions (in.)										Bolt Size (in.)	Bearing #	Housing #	Weight (lb.)	
			h	a	e		b	s ₁	s ₂	g	w	Bi					
					Min.	Max.											
1	UCPX05-16	87.00	1-3/4	6-1/4	4-3/16	5-3/16	2	21/32	1	23/32	3-7/16	1.500	1/2	UCX05-16	PX05	3.31	
1-1/8	UCPX06-18	101.70	1-7/8	6-7/8	4-1/2	5-1/2	2-1/4	21/32	1	25/32	3-13/16	1.689	1/2	UCX06-18	PX06	4.19	
1-3/16	UCPX06-19													UCX06-19			
1-1/4	UCPX06-20													UCX06-20			
1-1/4	UCPX07-20	127.00	2-1/8	8	5	6-3/8	2-1/4	21/32	1-3/16	7/8	4-1/4	1.937	1/2	UCX07-20	PX07	5.95	
1-3/8	UCPX07-22													UCX07-22			
1-7/16	UCPX07-23													UCX07-23			
1-1/2	UCPX08-24	152.00	2-5/16	8-3/4	5-1/2	6-3/4	2-5/8	25/32	1-1/4	1-1/32	4-17/32	1.937	5/8	UCX08-24	PX08	7.71	
1-5/8	UCPX09-26	164.10	2-5/16	8-3/4	5-7/16	6-13/16	2-5/8	25/32	1-5/16	1-1/32	4-39/64	2.031	5/8	UCX09-26	PX09	7.71	
1-11/16	UCPX09-27													UCX09-27			
1-3/4	UCPX09-28													UCX09-28			
1-7/8	UCPX10-30	197.00	2-1/2	9-9/16	5-15/16	7-9/16	2-7/8	25/32	1-7/16	1-1/8	4-31/32	2.189	5/8	UCX10-30	PX10	9.26	
1-15/16	UCPX10-31													UCX10-31			
2	UCPX10-32													UCX10-32			
2	UCPX11-32	263.00	2-3/4	10-1/4	6-9/16	7-15/16	3-1/8	1	1-7/16	1-3/16	5-9/16	2.563	3/4	UCX11-32	PX11	13.00	
2-3/16	UCPX11-35													UCX11-35			
2-1/4	UCPX11-36													UCX11-36			
2-3/8	UCPX12-38	315.10	3	11-1/4	7-1/8	8-7/8	3-1/4	1	1-5/8	1-5/16	6-7/64	2.563	3/4	UCX12-38	PX12	15.87	
2-7/16	UCPX12-39													UCX12-39			
2-1/2	UCPX13-40	360.20	3	11-1/4	7-1/8	8-7/8	3-1/4	13/16	1-5/8	1-5/16	6-7/64	2.937	3/4	UCX13-40	PX13	16.31	
2-11/16	UCPX14-43	426.60	3-1/2	13	7-7/8	10-1/8	3-1/2	1-1/16	2	1-5/16	6-57/64	3.063	7/8	UCX14-43	PX14	24.46	
2-3/4	UCPX14-44													UCX14-44			
2-15/16	UCPX15-47	484.80	3-1/2	13	7-7/8	10-1/8	3-1/2	1-1/16	2	1-5/16	6-31/32	3.252	7/8	UCX15-47	PX15	25.13	
3	UCPX15-48													UCX15-48			
3-3/16	UCPX16-51	655.70	4	15	9-11/16	12-9/16	4	1-1/16	2-5/16	1-21/32	8	3.374	7/8	UCX16-51	PX16	38.35	
3-1/4	UCPX17-52	702.00	4	15	9-11/16	12-9/16	4-3/8	1-1/16	2-5/16	1-21/32	8-7/32	3.780	7/8	UCX17-52	PX17	37.69	
3-7/16	UCPX17-55													UCX17-55			
3-1/2	UCPX18-56	914.00	4	15	9-5/8	12-5/8	4-3/8	1-1/16	2-3/8	1-25/32	8-1/8	4.094	7/8	UCX18-56	PX18	37.47	
3-15/16	UCPX20-63	1240.00	5	17	11-3/4	14-3/4	4-3/4	1-5/16	2-1/2	2-1/16	10	4.626	1	UCX20-63	PX20	72.73	
4	UCPX20-64													UCX20-64			
Dimensions (mm)																	
25	UCPX05	87.00	44.4	159	106	132	51	17	25	18	87	38.1	M14	UCX05	PX05	3.31	
30	UCPX06	101.70	47.6	175	114	140	57	17	25	20	97	42.9		UCX06	PX06	4.19	
35	UCPX07	127.00	54	203	127	162	57	17	30	22	108	49.2		UCX07	PX07	5.95	
40	UCPX08	152.00	58.7	222	140	172	66	20	32	26	115	49.2	M16	UCX08	PX08	7.71	
45	UCPX09	164.10	58.7	222	138	173	66	20	33	26	117	51.6		UCX09	PX09	7.71	
50	UCPX10	197.00	63.5	243	151	192	74	20	36	29	126	55.6		UCX10	PX10	9.26	
55	UCPX11	263.00	69.8	260	167	202	79	25	36	30	141	65.1	M20	UCX11	PX11	13.00	
60	UCPX12	315.10	76.2	286	181	225	82	25	41	33	155	65.1		UCX12	PX12	15.87	
65	UCPX13	360.20	76.2	286	181	225	82	21	41	33	155	74.6		UCX13	PX13	16.31	
70	UCPX14	426.60	88.9	330	200	257	89	27	51	33	175	77.8	M22	UCX14	PX14	24.46	
75	UCPX15	484.80	88.9	330	200	257	89	27	51	33	177	82.6		UCX15	PX15	25.13	
80	UCPX16	655.70	101.6	381	246	319	102	27	59	42	203	85.7		UCX16	PX16	38.35	
85	UCPX17	702.00	101.6	381	246	319	111	27	59	42	209	96	M22	UCX17	PX17	37.69	
90	UCPX18	914.00	101.6	381	245	321	111	27	60	45	206	104	M22	UCX18	PX18	37.47	
100	UCPX20	1240.00	127	432	299	375	121	33	64	52	254	117.5	M27	UCX20	PX20	72.73	

Lubrication fitting tap size 1/8-27 NPT

INTERCHANGES: VPS-3 P2B-SCM YASM C-35 SYM-TF UCPX MP