

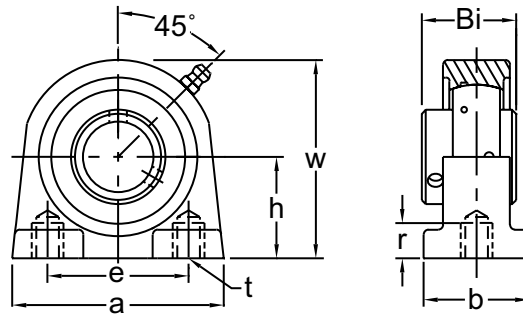


# TAP BASE PILLOW BLOCKS

# UCTB / UCPA 200

NORMAL DUTY

**Set-Screw Locking  
Wide Inner Ring  
Cast Iron Housing  
Insert Detail-pg.112-113  
Inch and Metric**



Shaft Diam. (in.)	AMI Unit #	List Price	Dimensions (in.)							Bolt Hole UNC Thread t (in.)	Bearing #	Housing #	Weight (lb.)
			h	a	e	b	r	w	Bi				
1/2	UCTB201-8	48.40	1-5/16	2-7/8	2	1-1/2	1/2	2-9/16	1.220	3/8-16	UC201-8	TB204	1.43
5/8	UCTB202-10										UC202-10		
3/4	UCTB204-12										UC204-12		
7/8	UCTB205-14	52.90	1-7/16	3	2	1-1/2	1/2	2-13/16	1.339	3/8-16	UC205-14	TB205	1.79
15/16	UCTB205-15										UC205-15		
1	UCTB205-16										UC205-16		
1-1/16	UCTB206-17	66.20	1-11/16	4	3	1-1/2	5/8	3-3/8	1.500	7/16-14	UC206-17	TB206	2.65
1-1/8	UCTB206-18										UC206-18		
1-3/16	UCTB206-19										UC206-19		
1-1/4	UCTB206-20										UC206-20		
1-1/4	UCTB207-20	82.00	1-7/8	4-1/4	3-1/4	1-7/8	3/4	3-3/4	1.689	1/2-13	UC207-20	TB207	3.75
1-5/16	UCTB207-21										UC207-21		
1-3/8	UCTB207-22										UC207-22		
1-7/16	UCTB207-23										UC207-23		
1-1/2	UCTB208-24	100.90	1-15/16	4-5/8	3-1/2	1-7/8	3/4	3-15/16	1.937	1/2-13	UC208-24	TB208	4.19
1-9/16	UCTB208-25										UC208-25		
1-5/8	UCTB209-26	109.65	2-1/8	5	3-3/4	2	3/4	4-1/4	1.937	1/2-13	UC209-26	TB209	4.85
1-11/16	UCTB209-27										UC209-27		
1-3/4	UCTB209-28										UC209-28		
1-7/8	UCTB210-30	130.90	2-1/4	5-1/2	4	2	7/8	4-5/8	2.031	5/8-11	UC210-30	TB210	5.73
1-15/16	UCTB210-31										UC210-31		
2	UCTB210-32										UC210-32		
2	UCTB211-32	202.70	2-1/4	5-1/2	4	2	7/8	4-5/8	2.189	5/8-11	UC211-32	TB211	6.4
2-1/8	UCTB211-34										UC211-34		
2-3/16	UCTB211-35										UC211-35		
Dimensions (mm)													
12	UCPA201	48.40	30.2	76	52	38	12	62	31	M10	UC201	PA204	1.45
15	UCPA202										UC202		1.40
17	UCPA203										UC203		1.38
20	UCPA204	48.40	30.2	76	52	38	12	62	31	M10	UC204	PA204	1.34
25	UCPA205	52.90	36.5	84	56	38	15	72	34	M10	UC205	PA205	1.81
30	UCPA206	66.20	42.9	94	66	48	18	84	38.1	M14	UC206	PA206	2.68
35	UCPA207	82.00	47.6	110	80	48	20	95	42.9	M14	UC207	PA207	3.79
40	UCPA208	100.90	49.2	116	84	54	20	100	49.2	M14	UC208	PA208	4.24
45	UCPA209	109.65	54.2	120	90	54	25	108	49.2	M14	UC209	PA209	4.91
50	UCPA210	130.90	57.2	130	94	60	25	116	51.6	M16	UC210	PA210	5.80

Lubrication fitting tap size for 1" and smaller shaft sizes, 1/4-28 UNF; for all other sizes, 1/8-27 NPT

**INTERCHANGES: VTBS TB-SC STB PT3U-N TBC25 UCUP TB**