

Accu-Loc®



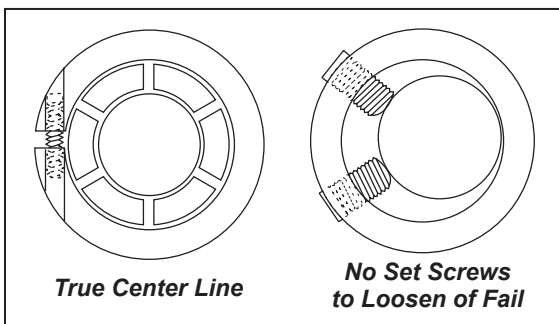
PH: (800) 882-8642 • FAX: (847) 759-0630
www.amibearings.com

AMI Accu-Loc Features:

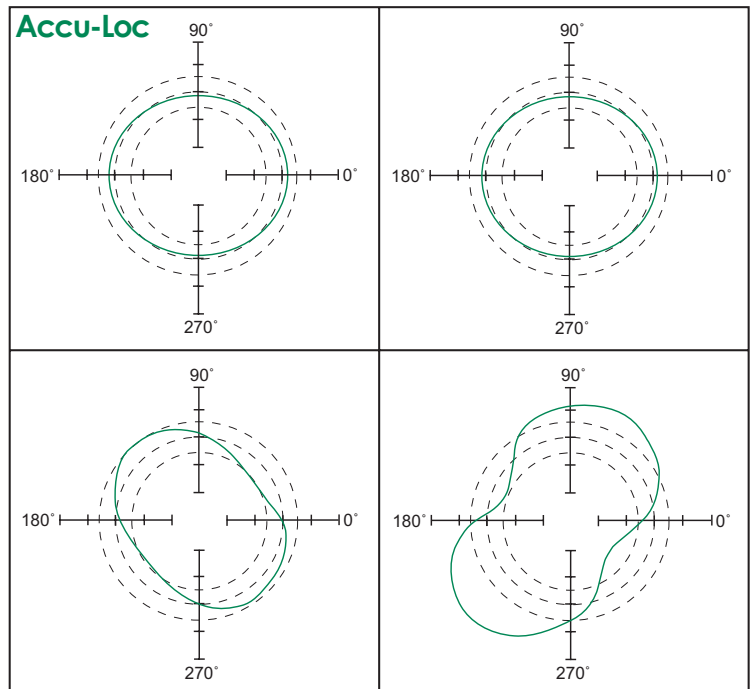
- Inch & Metric Available
- Available in any Standard Duty Housing Style
- Bore Sizes (3/4" to 2-7/16" and 20mm to 60mm)
- Direct Interchangeability
- Drop in Replacement for SealMaster (Skwezloc®)
- Cylindrical OD (SUE200)
- Spherical OD (UE200)
- True Shaft Centering
- Buna-Nitrile Seals
- Eliminates Vibration (Noise Reduction)
- No Ovality Transmitted to the Inner Raceway
- Does not Mar or Damage Shafting
- Installs in Seconds/Single Cap Screw
- Precision Honed Races
- Anti-Rotation Pin (NO Drop Pin!)
- 52100 Chromium Bearing Steel
- Black Oxide Finish - Standard
- Kanigen (MZ20), Non-Electrolytic Nickel
- Chromium - Designed for High Washdown



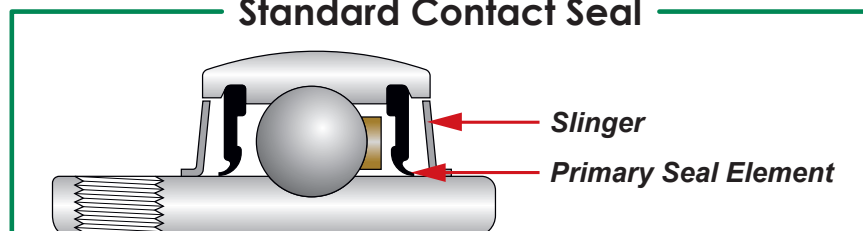
Compare Accu-Loc vs. Set-Screws!



For quieter, smoother, more efficient running bearings under higher radial loads and a true center line.



Standard Contact Seal

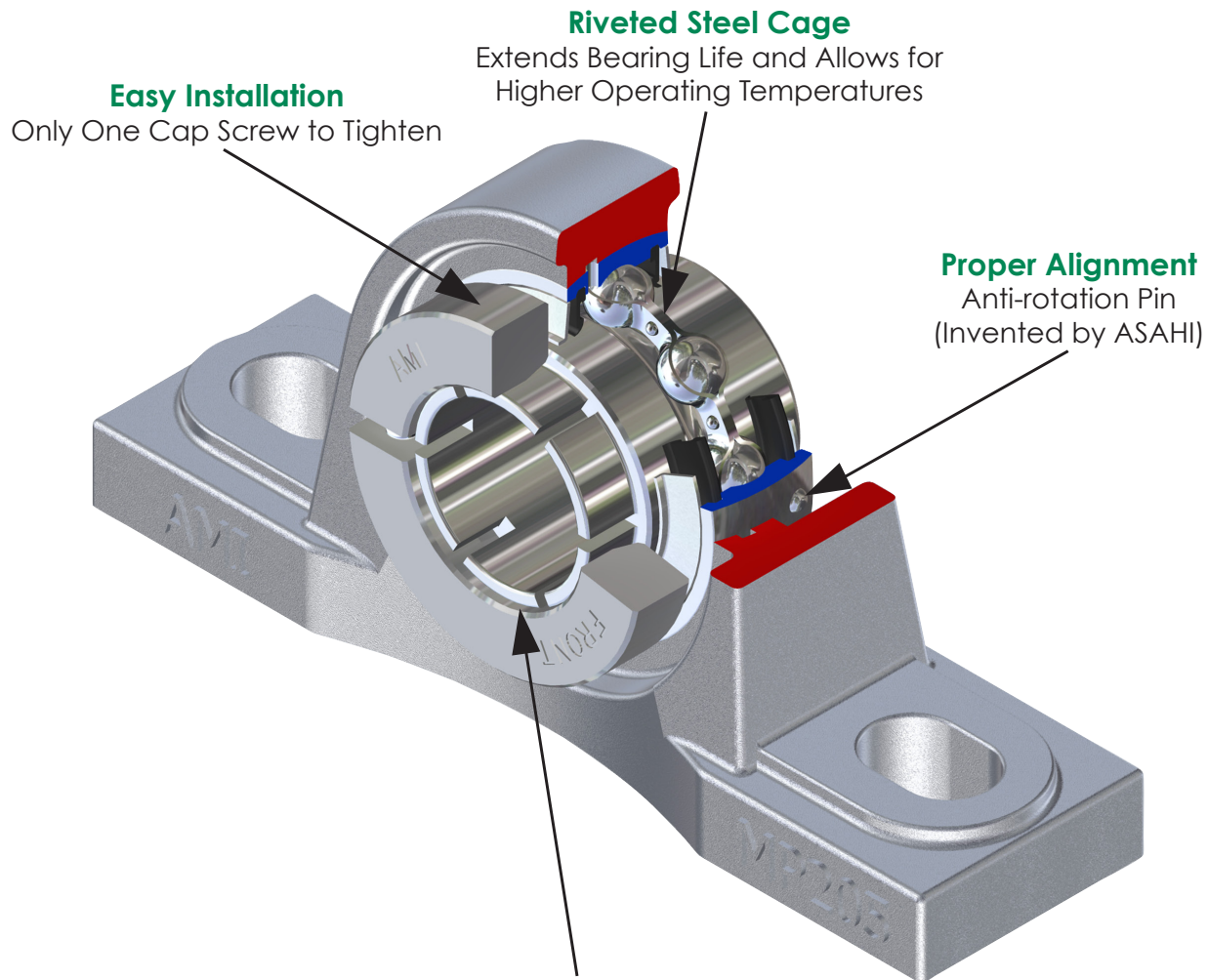


Recommended Tightening Torque of Accu-Loc Cap Screws

Applicable Bearing #	Recommended Tightening Torque (in-lb)	
	Black Oxide Finish	Kanigen Corrosion Resistant
UE204-206	70	30
UE207-208	90	45
UE209	90	—
UE210-211	180	—
UE212	400	—

Recommended Shaft Tolerances

Inch Size Shafting	Metric Size Shafting
Shaft Diameter up to 1-15/16" Nominal to -0.0005"	Shaft Diameter up to 45mm Nominal to -0.013mm
Shaft Diameters 2" to 4-7/16" Nominal to -0.0010"	Shaft Diameters 50mm to 140mm Nominal to -0.025mm



Tapered Clamp Collar & Centerline Locking Device

Provides Uniform Grip of the Inner Race to the Shaft at the Leading Edge of the Locking Collar, resulting in Lower Noise and Vibration at Higher Speeds.

Interchange by Manufacturer

Bore Size	AMI	MB	SealMaster
1 (in.)	SUE205-16	ER-16K	ER-16TC
25 (mm)	UE205-16	KMB-45-1	2-ITC