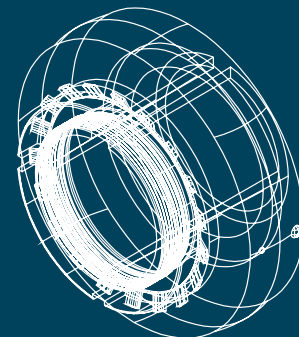
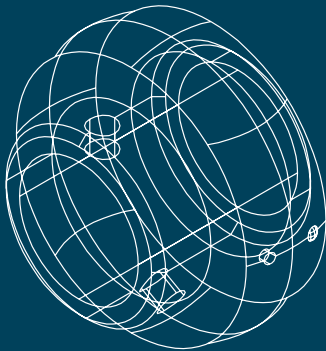
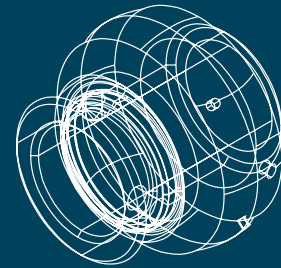
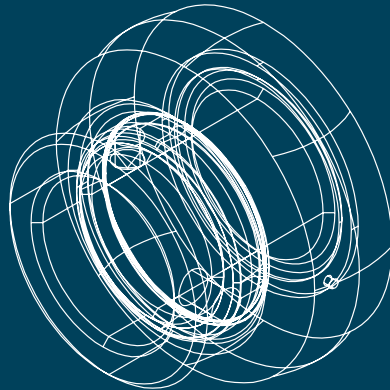


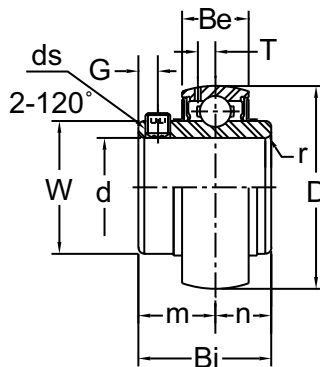
AMI

Inserts





NORMAL DUTY



Set-Screw (120°) Locking
Wide Inner Ring
Steel Cage
52100 Bearing Steel
0°F ~ 212°F
Contact Seal and Slinger
Prelubricated / Relubricatable
Inch

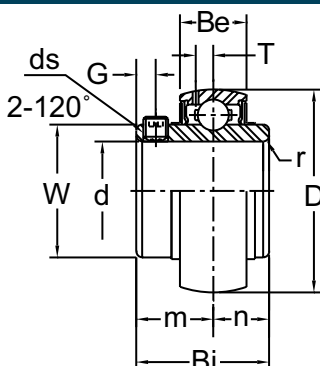
Shaft Diam. (in.) d	AMI Unit #	List Price	Dimensions (in.)										Basic Load Rating (lbf.)		Weight (lb.)
			D	Bi	Be	r	n	m	G	ds(UNF)	T	W	Dynamic Cr	Static Cor	
1/2	UC201-8	27.55	1.8504	1.220	0.669	0.039	0.500	0.720	0.177	1/4-28	0.177	1.142	2890	1500	0.46
5/8	UC202-10														
11/16	UC203-11														
3/4	UC204-12	27.55	1.8504	1.220	0.669	0.059	0.500	0.720	0.177	1/4-28	0.177	1.142	2890	1500	0.35
7/8	UC205-14	30.55	2.0472	1.339	0.669	0.059	0.563	0.776	0.197	1/4-28	0.177	1.339	3150	1780	0.42
15/16	UC205-15														
1	UC205-16														
1-1/16	UC206-17	36.25	2.4409	1.500	0.748	0.059	0.626	0.874	0.197	1/4-28	0.201	1.594	4410	2540	0.68
1-1/8	UC206-18														
1-3/16	UC206-19														
1-1/4	UC206-20														
1-1/4	* UC207-20	46.15	2.8346	1.689	0.787	0.079	0.689	1.000	0.236	5/16-24	0.228	1.890	5820	3460	1.06
1-5/16	* UC207-21														
1-3/8	* UC207-22														
1-7/16	* UC207-23														
1-1/2	* UC208-24	57.55	3.1496	1.937	0.827	0.079	0.748	1.189	0.315	5/16-24	0.244	2.087	6590	4020	1.37
1-9/16	* UC208-25														
1-5/8	* UC209-26	62.95	3.3465	1.937	0.866	0.079	0.748	1.189	0.315	5/16-24	0.256	2.256	7420	4610	1.48
1-11/16	* UC209-27														
1-3/4	* UC209-28														
1-7/8	* UC210-30	74.40	3.5433	2.031	0.906	0.079	0.748	1.283	0.354	3/8-24	0.256	2.480	7980	5220	1.72
1-15/16	* UC210-31														
2	* UC210-32														
2	UC211-32	95.25	3.9370	2.189	0.945	0.098	0.874	1.315	0.354	3/8-24	0.287	2.756	9700	6610	2.27
2-1/8	UC211-34														
2-3/16	UC211-35														
2-1/4	UC212-36	128.50	4.3307	2.563	1.024	0.098	1.000	1.563	0.394	3/8-24	0.303	3.031	11800	8120	3.20
2-3/8	UC212-38														
2-7/16	UC212-39														
2-1/2	UC213-40	157.20	4.7244	2.563	1.063	0.098	1.000	1.563	0.394	3/8-24	0.327	3.232	12900	9000	3.77
2-11/16	UC214-43	203.85	4.9213	2.937	1.142	0.098	1.189	1.748	0.472	7/16-20	0.343	3.425	14000	9900	4.54
2-3/4	UC214-44														
2-15/16	UC215-47	244.00	5.1181	3.063	1.181	0.098	1.311	1.752	0.551	7/16-20	0.362	3.602	14900	10800	4.89
3	UC215-48														
3-1/4	UC217-52	392.40	5.9055	3.374	1.339	0.118	1.343	2.031	0.551	7/16-20	0.413	4.134	18700	13900	7.45
3-7/16	UC217-55														
3-1/2	UC218-56	486.00	6.2992	3.780	1.417	0.118	1.563	2.217	0.591	1/2-20	0.437	4.390	21500	16100	9.57
1/2	UCW201-8	27.55	1.5748	1.024	0.591	0.039	0.394	0.630	0.157	10-32	0.157	0.972	2150	1080	0.26
9/16	UCW202-9														
5/8	UCW202-10														
11/16	UCW203-11														

NOTE: *Double Lip (RD) and Triple Lip (RT) Seals are available for these sizes. Consult AMI for pricing and availability.
Example: UC207-20RD (Double Lip) or UC207-20RT (Triple Lip)

INTERCHANGES: VS-2 INS-SC GY1-KRRB YW250 UG2-NL MB-25-PA YAR2 2-



Set-Screw (120°) Locking
Wide Inner Ring
Steel Cage
52100 Bearing Steel
0°F ~ 212°F
Contact Seal and Slinger
Prelubricated / Relubricatable
Metric



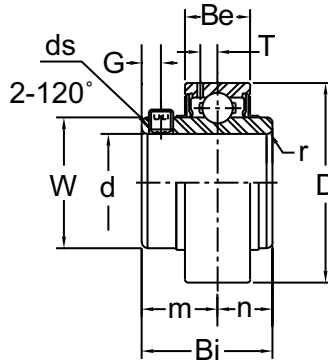
Shaft Diam. (mm) d	AMI Unit #	List Price	Dimensions (mm)										Basic Load Rating (kgf.)		Weight (lb.)	
			D	Bi	Be	r	n	m	G	ds	T	W	Dynamic Cr	Static Cor		
12	UC201	27.55	47	31	17	1	12.7	18.3	4.5	M6X0.75	4.5	29	1310	680	0.47	
15	UC202															
17	UC203															
20	UC204	27.55	47	31	17	1.5	12.7	18.3	4.5	M6X0.75	4.5	29	1310	680	0.36	
25	UC205	30.55	52	34	17	1.5	14.3	19.7	5	M6X0.75	4.5	34	1430	800	0.42	
30	UC206	36.25	62	38.1	19	1.5	15.9	22.2	5	M6X0.75	5.1	40.5	2000	1150	0.69	
35	* UC207	46.15	72	42.9	20	2	17.5	25.4	6	M8X1	5.8	48	2640	1570	1.07	
40	* UC208	57.55	80	49.2	21	2	19	30.2	8	M8X1	6.2	53	2990	1830	1.38	
45	* UC209	62.95	85	49.2	22	2	19	30.2	8	M8X1	6.5	57.3	3350	2090	1.49	
50	* UC210	74.40	90	51.6	23	2	19	32.6	9	M10X1.25	6.5	63	3600	2370	1.74	
55	UC211	95.25	100	55.6	24	2.5	22.2	33.4	9	M10X1.25	7.3	70	4400	3000	2.30	
60	UC212	128.50	110	65.1	26	2.5	25.4	39.7	10	M10X1.25	7.7	77	5350	3700	3.23	
65	UC213	157.20	120	65.1	27	2.5	25.4	39.7	10	M10X1.25	8.3	82.1	5850	4100	3.81	
70	UC214	203.85	125	74.6	29	2.5	30.2	44.4	12	M12X1.5	8.7	87	6350	4500	4.59	
75	UC215	244.00	130	77.8	30	2.5	33.3	44.5	14	M12X1.5	9.2	91.5	6750	4900	4.95	
80	UC216	331.30	140	82.6	32	3	33.3	49.3	14	M12X1.5	9.6	98.5	7400	5400	6.29	
85	UC217	392.40	150	85.7	34	3	34.1	51.6	14	M12X1.5	10.5	105	8500	6300	7.54	
90	UC218	486.00	160	96	36	3	39.7	56.3	15	M12X1.5	11.1	111.5	9750	7300	9.68	
Dimensions (mm)																
12	UCW201	27.55	40	26	15	1	10	16	4	M5x0.8	4	24.7	975	490	0.27	
15	UCW202															
17	UCW203															

NOTE: *Double Lip (RD) and Triple Lip (RT) Seals are available for these sizes. Consult AMI for pricing and availability.
Example: UC207RD (Double Lip) or UC207RT (Triple Lip)

INTERCHANGES: VS-2 INS-SC GY1-KRRB YW250 UG2-NL MB-25-PA YAR2 2-



NORMAL DUTY



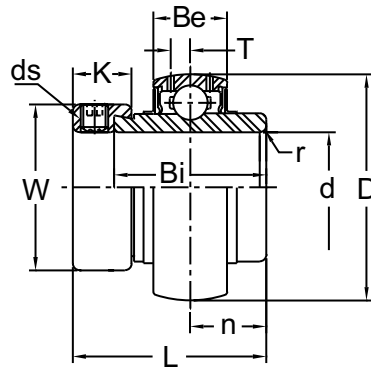
Set-Screw (120°) Locking
Wide Inner Ring
Steel Cage
52100 Bearing Steel
0°F ~ 212°F
Contact Seal and Slinger
Cylindrical Outer Diameter
Prelubricated / Relubricatable
Inch and Metric

Shaft Diam. (in.) d	AMI Unit #	List Price	Dimensions (in.)										Basic Load Rating (lbf.)		Weight (lb.)
			D	Bi	Be	r	n	m	G	ds(UNF)	T	W	Dynamic Cr	Static Cor	
1/2	URW201-8 URW202-10	27.55	1.5748	1.024	0.591	0.039	0.394	0.630	0.157	10-32	0.157	0.972	2150	1080	0.26
5/8			1.8504	1.220	0.669	0.059	0.500	0.720	0.177	1/4-28	0.177	1.142	2890	1500	0.24
3/4	UR204-12	27.55	2.0472	1.339	0.669	0.059	0.563	0.776	0.197	1/4-28	0.177	1.339	3150	1780	0.35
1	UR205-16	30.55	2.4409	1.500	0.748	0.059	0.626	0.874	0.197	1/4-28	0.201	1.594	4410	2540	0.42
1-1/8	UR206-18	36.25	2.8346	1.689	0.787	0.079	0.689	1.000	0.236	5/16-24	0.228	1.890	5820	3460	1.06
1-1/4	UR206-20														
1-1/4	UR207-20	46.15	3.1496	1.937	0.827	0.079	0.748	1.189	0.315	5/16-24	0.244	2.087	6590	4020	1.37
1-7/16	UR207-23														
1-1/2	UR208-24	57.55	3.1496	1.937	0.827	0.079	0.748	1.189	0.315	5/16-24	0.244	2.087	6590	4020	1.37
			Dimensions (mm)										Basic Load Rating (kgf.)		
20	UR204	27.55	47	31	17	1.5	12.7	18.3	4.5		4.5	29	1310	680	0.36
25	UR205	30.55	52	34	17	1.5	14.3	19.7	5	M6X0.75	4.5	34	1430	800	0.42
30	UR206	36.25	62	38.1	19	1.5	15.9	22.2	5		5.1	40.5	2000	1150	0.69
35	UR207	46.15	72	42.9	20	2	17.5	25.4	6		5.8	48	2640	1570	1.07
40	UR208	57.55	80	49.2	21	2	19	30.2	8	M8X1	6.2	53	2990	1830	1.38
45	UR209	62.95	85	49.2	22	2	19	30.2	8		6.5	57.3	3350	2090	1.49

INTERCHANGES: UBG2-NL



**Eccentric Locking
Wide Inner Ring
Steel Cage
52100 Bearing Steel
0°F ~ 212°F
Contact Seal and Slinger
Inch and Metric**



Shaft Diam. (in.) d	AMI Unit #	List Price	Dimensions (in.)										Basic Load Rating (lbf.)		Weight (lb.)
			D	L	Bi	Be	r	n	T	W	K	ds(UNF)	Dynamic Cr	Static Cor	
1/2	UGW201-8	32.80	1.5748	1-15/32	1-3/32	0.591	0.039	35/64	0.157	1-1/8	17/32	1/4-28	2150	1080	0.35
5/8	UGW202-10	32.80	1.8504	1-23/32	1-11/32	0.669	0.059	43/64	0.177	1-5/16	17/32	1/4-28	2890	1500	0.46
3/4	UG204-12	41.10	2.0472	1-3/4	1-3/8	0.669	0.059	11/16	0.177	1-1/2	17/32	1/4-28	3150	1780	0.51
7/8	UG205-14	48.40	2.4409	1-29/32	1-7/16	0.748	0.059	23/32	0.201	1-3/4	5/8	5/16-24	4410	2540	0.82
15/16	UG205-15	63.70	2.8346	2-1/64	1-31/64	0.787	0.079	0.740	0.228	2-3/16	11/16	3/8-24	5820	3460	1.32
1	UG205-16	75.50	3.1496	2-7/32	1-11/16	0.827	0.079	27/32	0.244	2-3/8	23/32	3/8-24	6590	4020	1.68
1-1/8	UG206-18	82.50	3.3465	2-7/32	1-11/16	0.866	0.079	27/32	0.256	2-1/2	23/32	3/8-24	7420	4610	1.74
1-3/16	UG206-19	87.00	3.5433	2-15/32	1-15/16	0.906	0.079	31/32	0.256	2-3/4	23/32	3/8-24	7940	5220	2.01
1-1/4	UG206-20	118.10	3.9370	2-13/16	2-3/16	0.945	0.098	1-3/32	0.287	3	13/16	7/16-20	9700	6610	2.78
1-1/4	*UG207-20	147.40	4.3307	3-1/16	2-7/16	1.024	0.098	1-7/32	0.303	3-5/16	7/8	7/16-20	11800	8120	3.75
1-5/16	*UG207-21														
1-3/8	*UG207-22														
1-7/16	*UG207-23														
1-1/2	*UG208-24														
1-9/16	**UG208-25														
1-5/8	*UG209-26														
1-11/16	*UG209-27														
1-3/4	*UG209-28														
1-7/8	*UG210-30														
1-15/16	*UG210-31														
2	*UG210-32														
2	UG211-32														
2-1/8	UG211-34														
2-3/16	UG211-35														
2-1/4	UG212-36														
2-3/8	UG212-38														
2-7/16	UG212-39														
			Dimensions (mm)										Basic Load Rating (kgf.)		
20	UG204	32.80	47	43.7	34.2	17	1.5	17.1	4.5	33.3	13.5	M6x0.75	1310	680	0.47
25	UG205	41.10	52	44.4	34.9	17	1.5	17.5	4.5	38.1	13.5	M6x0.75	1430	800	0.51
30	UG206	48.40	62	48.4	36.5	19	1.5	18.3	5.1	44.5	15.9	M8x1	2000	1150	0.83
35	*UG207	63.70	72	51.1	37.6	20	2	18.8	5.8	55.6	17.5		2640	1570	1.34
40	*UG208	75.50	80	56.3	42.8	21	2	21.4	6.2	60.3	18.3	M10x1.25	2990	1830	1.69
45	*UG209	82.50	85	56.3	42.8	22	2	21.4	6.5	63.5	18.3		3350	2090	1.76
50	*UG210	87.00	90	62.7	49.2	23	2	24.6	6.5	69.9	18.3	M10x1.25	3600	2370	2.03
55	UG211	118.10	100	71.4	55.5	24	2.5	27.8	7.3	76.2	20.7	M12x1.5	4400	3000	2.81
60	UG212	147.40	110	77.8	61.9	26	2.5	31	7.7	84.2	22.3	M12x1.5	5350	3700	3.79

NOTE: *Double Lip (RD) and Triple Lip (RT) Seals are available for these sizes. Consult AMI for pricing and availability.

Example: UC207-20RD (Double Lip) or UC207-20RT (Triple Lip)

**Consult factory for availability

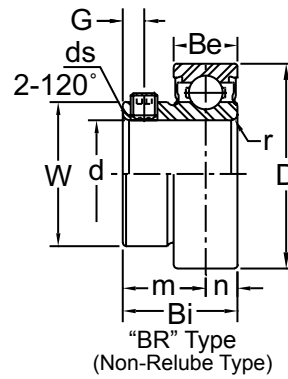
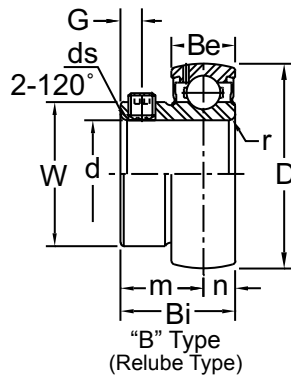
INTERCHANGES: VE-2 INS-SXR G1-KRRB YG2-NL YEL2 UEL2 R-E

B / BR

BALL BEARINGS



NORMAL DUTY



Set-Screw (120°) Locking
Narrow Inner Ring
Steel Cage
52100 Bearing Steel
0°F ~ 212°F
Contact Seal
Inch and Metric

Shaft Diam. (in.) d	AMI Unit #		List Price	Dimensions (in.)								Basic Load Rating (lbf.)		Weight (lb.)	
				D	Bi	Be	r	n	m	G	ds(UNF)	W	Dynamic Cr		Static Cor
1/2	B1-8	BR1-8	24.85	1.5748	0.886	0.472	0.039	0.236	0.630	0.157	10-32	0.972	2150	1080	0.22
5/8	B2-10	BR2-10													
3/4	B4-12	BR4-12	25.65	1.8504	0.972	0.551	0.059	0.276	0.697	0.177	10-32	1.142	2890	1500	0.26
7/8	B5-14	BR5-14	26.75	2.0472	1.063	0.591	0.059	0.295	0.767	0.197	1/4-28	1.339	3150	1780	0.35
15/16	B5-15	BR5-15													
1	B5-16	BR5-16	34.50	2.4409	1.193	0.630	0.059	0.315	0.878	0.197	1/4-28	1.594	4410	2540	0.55
1-1/16	B6-17	—													
1-1/8	B6-18	BR6-18													
1-3/16	B6-19	BR6-19													
1-1/4	B6-20	BR6-20	43.30	2.8346	1.295	0.669	0.079	0.335	0.961	0.236	5/16-24	1.890	5820	3460	0.84
1-1/4	B7-20	BR7-20													
1-5/16	B7-21	BR7-21													
1-3/8	B7-22	BR7-22													
1-7/16	B7-23	BR7-23	69.50	3.1496	1.398	0.709	0.079	0.354	1.043	0.315	5/16-24	2.087	6592	4020	1.08
1-1/2	B8-24	—													
				Dimensions (mm)								Basic Load Rating (kgf.)			
12	B1	BR1	24.85	40	22	12	1	6	16	4	M5X0.8	24.7	975	490	0.20
15	B2	BR2													
17	B3	BR3													
20	B4	BR4	25.65	47	24.7	14	1.5	7	17.7	4.5	M5X0.8	29	1310	680	0.27
25	B5	BR5	26.75	52	27	15	1.5	7.5	19.5	5	M6X0.75	34	1430	800	0.36
30	B6	BR6	34.50	62	30.3	16	1.5	8	22.3	5	M6X0.75	40.5	2000	1150	0.56
35	B7	BR7	43.30	72	32.9	17	2	8.5	24.4	6	M8X1	48	2640	1570	0.85
40	B8	—	69.50	80	35.5	18	2	9	26.5	8		53	2990	1830	1.09

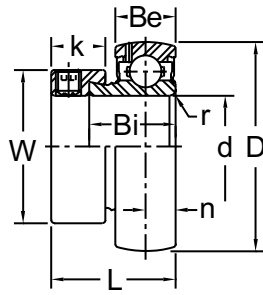
INTERCHANGES: VS-1 INS-VSC YA-RRB SB2 B250 GAY-NPP SG2-NL AS2 L- SLS-1 SBG2-EL MSLN SL-



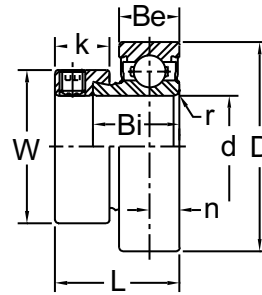
BALL BEARINGS

KH / KHR 200

Eccentric Locking
Narrow Inner Ring
Steel Cage
52100 Bearing Steel
0°F ~ 212°F
Contact Seal
Prelubricated / Relubricatable
Inch and Metric



“KH” Type
(Relube Type)



“KHR” Type
(Non-Relube Type)



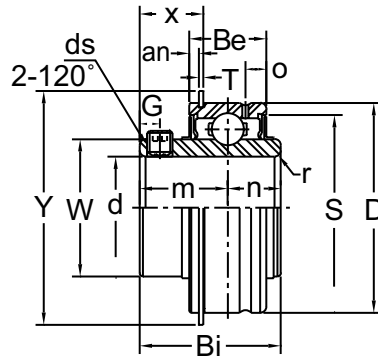
NORMAL DUTY

Shaft Diam. (in.) d	AMI Unit #		List Price	Dimensions (in.)								Basic Load Rating (lbf.)		Weight (lb.)		
				D	L	Bi	Be	r	n	W	K	ds(UNF)	Dynamic Cr		Static Cor	
1/2	KH201-8	KHR201-8	27.30	1.5748	1-1/8	0.752	0.472	0.039	0.256	1-1/8	17/32	1/4-28	2150	1080	0.26	
5/8	KH202-10	KHR202-10	27.30	1.8504	1-7/32	0.846	0.551	0.059	0.295	1-5/16	17/32	1/4-28	2890	1500	0.35	
3/4	KH204-12	KHR204-12				0.846	0.591									
7/8	KH205-14	KHR205-14	29.80	2.0472	1-7/32	0.846	0.591	0.059	0.295	1-1/2	17/32	1/4-28	3150	1780	0.44	
15/16	KH205-15	KHR205-15				0.846	0.591									
1	KH205-16	KHR205-16	39.30	2.4409	1-13/32	0.938	0.630	0.059	0.354	1-3/4	5/8	5/16-24	4410	2540	0.68	
1-1/16	—	KHR206-17				0.938	0.630									
1-1/8	KH206-18	KHR206-18				0.938	0.630									
1-3/16	KH206-19	KHR206-19				0.938	0.630									
1-1/4	KH206-20	KHR206-20				0.938	0.630									
1-1/4	KH207-20	KHR207-20				0.938	0.630									
1-5/16	KH207-21	KHR207-21	52.80	2.8346	1-17/32	1.000	0.669	0.079	0.374	2-3/16	11/16	3/8-24	5820	3460	1.08	
1-3/8	KH207-22	KHR207-22				1.000	0.669									
1-7/16	KH207-23	KHR207-23				1.000	0.669									
1-1/2	KH208-24	KHR208-24				1.000	0.669									
1-5/8	KH209-26	KHR209-26	61.80	3.1496	1-23/32	1.188	0.709	0.079	0.433	2-3/8	23/32	3/8-24	6590	4020	1.37	
1-11/16	KH209-27	KHR209-27				1.188	0.709									
1-3/4	KH209-28	KHR209-28	69.80	3.3465	1-23/32	1.188	0.748	0.079	0.433	2-1/2	23/32	3/8-24	7420	4610	1.43	
1-7/8	KH210-30	KHR210-30				1.188	0.748									
1-15/16	KH210-31	KHR210-31	78.60	3.5433	1-23/32	1.188	0.787	0.079	0.433	2-3/4	23/32	3/8-24	7940	5220	1.65	
2	KH211-32	KHR211-32				1.188	0.787									
2-1/8	KH211-34	KHR211-34	103.10	3.9370	1-29/32	1.281	0.827	0.098	0.472	3	13/16	7/16-20	9700	6610	2.07	
2-3/16	KH211-35	KHR211-35				1.281	0.827									
				Dimensions (mm)								Basic Load Rating (kgf.)				
12	KH201	KHR201	27.30	40	28.6	19.1	12	1	6.5	28.6	13.5	M6X0.75	975	490	0.27	
15	KH202	KHR202														0.25
17	KH203	KHR203														0.22
20	KH204	KHR204	27.30	47	31	21.5	14	1.5	7.5	33.3	13.5	M6X0.75	1310	680	0.36	
25	KH205	KHR205	29.80	52	31	21.5	15	1.5	7.5	38.1	13.5	M6X0.75	1430	800	0.45	
30	KH206	KHR206	39.30	62	35.7	23.8	16	1.5	9	44.5	15.9	M8X1	2000	1150	0.69	
35	KH207	KHR207	52.80	72	38.9	25.4	17	2	9.5	55.6	17.5	—	2640	1570	1.09	
40	KH208	KHR208	61.80	80	43.7	30.2	18	2	11	60.3	18.3	M10X1.25	2990	1830	1.38	
45	KH209	KHR209	69.80	85	43.7	30.2	19	2	11	63.5	18.3	—	3350	2090	1.45	
50	KH210	KHR210	78.60	90	43.7	30.2	20	2	11	69.9	18.3	M10X1.25	3600	2370	1.67	
55	KH211	—	103.10	100	48.7	32.5	21	2.5	12	75.8	20.7	M12X1.5	4400	3000	2.07	

INTERCHANGES: VE-1 INS-SXV RA-RRB SA2 B220 GRA-NPP W2-UL YET2 AEL2 SLE-1 WB2-UL AELS



NORMAL DUTY



Set-Screw (120°) Locking
Wide Inner Ring
Steel Cage
52100 Bearing Steel
0°F ~ 212°F
Contact Seal and Slinger
Cylindrical O.D.
Prelubricated / Relubricatable
Inch and Metric

Shaft Diam. (in.) d	AMI Unit #	List Price	Dimensions (in.)														Basic Load Rating (lb.)		Weight (lb.)	
			D	Bi	Be	r	n	m	G	ds(UNF)	o	W	an	T	Y(max)	X	S	Dynamic Cr		Static Cor
1/2	SER201-8	37.40	1.8504	1-7/32	5/8	0.039	13/32	13/16	0.177	1/4-28	0.150	1.142	3/32	0.042	2.075	0.636	1.614	2890	1500	0.60
5/8	SER202-10																			0.55
3/4	SER204-12	37.40	1.8504	1-7/32	5/8	0.059	13/32	13/16	0.177	1/4-28	0.150	1.142	3/32	0.042	2.075	0.636	1.614	2890	1500	0.48
7/8	SER205-14																			
15/16	SER205-15	41.80	2.0472	1-3/8	3/4	0.059	33/64	55/64	0.197	1/4-28	13/64	1.339	3/32	0.042	2.280	0.620	1.811	3150	1780	0.62
1	SER205-16																			
1-1/16	SER206-17																			
1-1/8	SER206-18	47.80	2.4409	1-1/2	7/8	0.059	5/8	7/8	0.197	1/4-28	7/32	1.594	1/8	0.065	2.665	0.628	2.138	4410	2540	0.84
1-3/16	SER206-19																			
1-1/4	SER206-20																			
1-1/4	SER207-20																			
1-5/16	SER207-21	57.50	2.8346	1-11/16	15/16	0.079	11/16	1	0.236	5/16-24	7/32	1.890	1/8	0.065	3.095	0.721	2.500	5820	3460	1.23
1-3/8	SER207-22																			
1-7/16	SER207-23																			
1-1/2	SER208-24	72.00	3.1496	1-15/16	1-3/32	0.079	3/4	1-3/16	0.315	5/16-24	1/4	2.087	1/8	0.065	3.410	0.831	2.728	6590	4020	1.92
1-9/16	SER208-25																			
1-5/8	SER209-26																			
1-11/16	SER209-27	82.00	3.3465	1-15/16	1-3/32	0.079	3/4	1-3/16	0.315	5/16-24	1/4	2.256	1/8	0.065	3.606	0.831	2.925	7420	4610	2.09
1-3/4	SER209-28																			
1-7/8	SER210-30	91.90	3.5433	2-1/32	1-1/8	0.079	3/4	1-9/32	0.354	3/8-24	19/64	2.480	1/8	0.095	3.799	0.939	3.138	7940	5220	2.27
1-15/16	SER210-31																			
2	SER211-32																			
2-1/8	SER211-34	120.50	3.9370	2-3/16	1-3/16	0.098	7/8	1-5/16	0.354	3/8-24	19/64	2.756	1/8	0.095	4.193	0.939	3.571	9700	6610	2.67
2-3/16	SER211-35																			
2-1/4	SER212-36																			
2-3/8	SER212-38	142.70	4.3307	2-9/16	1-1/4	0.098	1	1-9/16	0.394	3/8-24	19/64	3.031	1/8	0.095	4.591	1.158	3.937	11800	8160	3.70
2-7/16	SER212-39																			
			Dimensions (mm)														Basic Load Rating (kgf.)			
12	SER201																			
15	SER202	40.60	47	31	15.9	1	10.3	20.7	4.5	M6X0.75	3.8	29	2.38	1.07	52.7	16.15	41	1310	680	0.60
17	SER203																			0.56
20	SER204	40.60	47	31	15.9	1.5	10.3	20.7	4.5	M6X0.75	3.8	29	2.38	1.07	52.7	16.15	41	1310	680	0.48
25	SER205	45.45	52	34.9	19	1.5	13.1	21.8	5	M6X0.75	5.2	34	2.38	1.07	57.9	15.75	46	1430	800	0.62
30	SER206	52.00	62	38.1	22.2	1.5	15.9	22.2	5	M6X0.75	5.6	40.5	3.18	1.65	67.7	15.93	54.3	2000	1150	0.84
35	SER207	62.55	72	42.9	23.8	2	17.5	25.4	6	M8X1.0	5.6	48	3.18	1.65	78.6	18.32	63.5	2640	1570	1.23
40	SER208	78.25	80	49.2	27.8	2	19	30.2	8	M8X1.0	6.4	53	3.18	1.65	86.6	21.10	69.3	2990	1830	1.92
45	SER209	89.10	85	49.2	27.8	2	19	30.2	8	M8X1.0	6.4	57.3	3.18	1.65	91.6	21.10	74.3	3350	2090	2.09
50	SER210	99.85	90	51.6	28.6	2	19	32.6	9	M10X1.25	7.5	63	3.18	2.41	96.5	23.85	79.7	3600	2370	2.27
55	SER211	130.95	100	55.6	30.2	2.5	22.2	33.4	9	M10X1.25	7.5	70	3.18	2.41	106.5	23.85	90.7	4400	3000	2.67
60	SER212	155.10	110	65.1	31.8	2.5	25.4	39.7	10	M10X1.25	7.5	77	3.18	2.41	116.6	29.41	100	5350	3700	3.70

INTERCHANGES: VER-2 ER UBGL2-NL

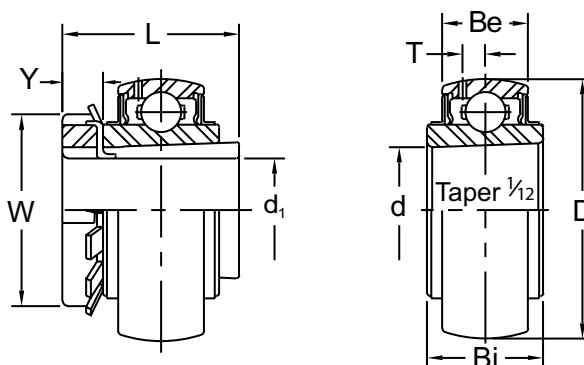


BALL BEARINGS

UK 200+H

NORMAL DUTY

Tapered Adapter Sleeve
Wide Inner Ring
Steel Cage
51200 Bearing Steel
0°F ~ 212°F
Contact Seal and Slinger
Prelubricated / Relubricatable
Inch and Metric



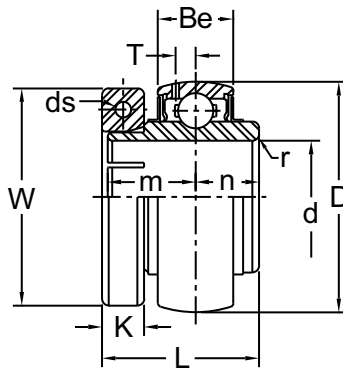
Shaft Diam. (in.) d1	AMI Unit #	List Price	Dimensions (in.)								Basic Load Rating (lb.)		Weight (lb.)
			D	L	d	Bi	Be	T	Y	W	Dynamic Cr	Static Cor	
3/4	UK205+HE2305	59.50	2.0472	1.378	0.9843	0.906	0.669	0.177	0.315	1.496	3150	1780	0.53
13/16	UK205+HA2305												
7/8	UK206+HS2306	70.10	2.4409	1.496	1.1811	1.024	0.748	0.201	0.315	1.772	4410	2540	0.88
15/16	UK206+HA2306												
1	UK206+HE2306												
1-1/8	*UK207+HS2307	82.95	2.8346	1.693	1.3780	1.063	0.787	0.228	0.354	2.047	5820	3460	1.17
1-3/16	*UK207+HA2307												
1-1/4	*UK208+HE2308	99.80	3.1496	1.811	1.5748	1.142	0.827	0.244	0.394	2.283	6590	4020	1.52
1-5/16	*UK208+HA2308												
1-3/8	*UK208+HS2308												
1-7/16	*UK209+HA2309	113.40	3.3465	1.969	1.7717	1.181	0.866	0.256	0.433	2.559	7420	4610	1.70
1-1/2	*UK209+HE2309												
1-5/8	*UK209+HS2309												
1-11/16	*UK210+HA2310	130.05	3.5433	2.165	1.9685	1.220	0.906	0.256	0.472	2.756	7940	5220	2.05
1-3/4	*UK210+HE2310												
1-7/8	UK211+HS2311	158.50	3.9370	2.323	2.1654	1.299	0.945	0.287	0.472	2.953	9700	6610	2.56
1-15/16	UK211+HA2311												
2	UK211+HE2311												
2-1/16	UK212+HA2312	189.75	4.3307	2.441	2.3622	1.417	1.024	0.303	0.512	3.150	11800	8120	3.24
2-1/8	UK212+HS2312												
2-3/16	UK213+HA2313	231.95	4.7244	2.559	2.5591	1.496	1.063	0.327	0.551	3.346	12900	9000	4.01
2-1/4	UK213+HE2313												
2-3/8	UK213+HS2313												
2-7/16	UK215+HA2315	340.60	5.1181	2.874	2.9528	1.614	1.181	0.362	0.591	3.858	14900	10800	5.71
2-1/2	UK215+HE2315												
2-11/16	UK216+HA2316	403.80	5.5118	3.071	3.1496	1.732	1.260	0.378	0.669	4.134	16300	11900	7.21
2-3/4	UK216+HE2316												
2-15/16	UK217+HA2317	495.40	5.9055	3.228	3.3465	1.811	1.339	0.413	0.709	4.331	18700	13900	8.64
3	UK217+HE2317												
3-1/8	UK218+HS2318	590.75	6.2992	3.386	3.5433	1.929	1.417	0.437	0.709	4.724	21500	16100	10.31
			Dimensions (mm)								Basic Load Rating (kgf.)		
20	UK205+H2305	59.50	52	35	25	23	17	4.5	8	38	1430	800	0.54
25	UK206+H2306	70.10	62	38	30	26	19	5.1	8	45	2000	1150	0.89
30	*UK207+H2307	82.95	72	43	35	27	20	5.8	9	52	2640	1570	1.18
35	*UK208+H2308	99.80	80	46	40	29	21	6.2	10	58	2990	1830	1.54
40	*UK209+H2309	113.40	85	50	45	30	22	6.5	11	65	3350	2090	1.72
45	*UK210+H2310	130.05	90	55	50	31	23	6.5	12	70	3600	2370	2.07
50	UK211+H2311	158.50	100	59	55	33	24	7.3	12	75	4400	3000	2.59
55	UK212+H2312	189.75	110	62	60	36	26	7.7	13	80	5350	3700	3.28
60	UK213+H2313	231.95	120	65	65	38	27	8.3	14	85	5850	4100	4.06
65	UK215+H2315	340.60	130	73	75	41	30	9.2	15	98	6750	4900	5.78
70	UK216+H2316	403.80	140	78	80	44	32	9.6	17	105	7400	5400	7.29
75	UK217+H2317	495.40	150	82	85	46	34	10.5	18	110	8500	6300	8.74
80	UK218+H2318	590.75	160	86	90	49	36	11.1	18	120	9750	7300	10.5

NOTE: *Double Lip (RD) and Triple Lip (RT) Seals are available for these sizes. Consult AMI for pricing and availability.
 Example: UC207-20RD (Double Lip) or UC207-20RT (Triple Lip)

INTERCHANGES: UK2



NORMAL DUTY



Concentric Locking
 Single Cap Screw Locking Collar
 Wide Inner Ring
 Steel Cage
 52100 Bearing Steel
 w/Black Oxide Finish
 0°F ~ 212°F
 Contact Seal and Slinger
 Prelubricated / Relubricatable
 Inch and Metric

Shaft Diam. (in.) d1	AMI Unit #	List Price	Dimensions (in.)										Basic Load Rating (lbf.)		Weight (lb.)	
			D	L	Be	r	n	m	T	W	K	ds(UNC)	Dynamic Cr	Static Cor		
3/4	UE204-12	62.40	1.8504	1.299	0.669	0.059	0.500	0.720	0.177	1.724	0.374	8-32	2890	1500	0.51	
7/8	UE205-14	64.50	2.0472	1.394	0.669	0.059	0.563	0.780	0.177	1.929	0.374	8-32	3150	1780	0.62	
15/16	UE205-15															
1	UE205-16															
1-1/8	UE206-18	85.30	2.4409	1.567	0.748	0.059	0.626	0.874	0.201	2.185	0.374	8-32	4410	2540	0.90	
1-3/16	UE206-19															
1-1/4	UE206-20															
1-1/4	UE207-20	113.80	2.8346	1.728	0.787	0.079	0.689	1.000	0.228	2.421	0.433	10-24	5820	3460	1.39	
1-3/8	UE207-22															
1-7/16	UE207-23															
1-1/2	UE208-24	116.00	3.1496	1.976	0.827	0.079	0.748	1.189	0.244	2.677	0.433	10-24	6590	4020	1.70	
1-11/16	UE209-27	131.50	3.3465	1.976	0.866	0.079	0.748	1.189	0.256	2.913	0.433	10-24	7420	4030	1.87	
1-3/4	UE209-28															
1-15/16	UE210-31	143.10	3.5433	2.071	0.906	0.079	0.748	1.283	0.256	3.189	0.571	1/4-20	7940	5220	2.34	
2	UE210-32															
2	UE211-32	167.20	3.9370	2.228	0.945	0.098	0.874	1.315	0.287	3.189	0.571	1/4-20	9700	6610	3.13	
2-3/16	UE211-35															
2-7/16	UE212-39	196.30	4.3307	2.622	1.024	0.098	1.000	1.563	0.303	4.055	0.687	5/16-18	11800	8120	4.54	
			Dimensions (mm)										Basic Load Rating (kgf.)			
20	UE204	61.30	47	33.0	17	1.5	12.7	18.3	4.5	43.8	9.5	M4x0.7x16	1310	680	0.51	
25	UE205	63.50	52	35.4	17	1.5	14.3	19.8	4.5	49.0	9.5		1430	800	0.62	
30	UE206	84.50	62	39.8	19	1.5	15.9	22.2	5.1	55.5	9.5		2000	1150	0.90	
35	UE207	111.20	72	43.9	20	2	17.5	25.4	5.8	64.0	11.0	M5x0.8x20	2640	1570	1.39	
40	UE208	115.30	80	50.2	21	2	19	30.2	6.2	68.0	11.0		2990	1830	1.70	
45	UE209	133.20	85	50.2	22	2	19	30.2	6.5	74.0	11.0		3350	2090	1.87	
50	UE210	143.80	90	52.6	23	2	19	32.6	6.5	81.0	14.5	M6x1x25	3600	2370	2.34	
55	UE211	184.70	100	56.6	24	2.5	22.2	33.4	7.3	92.0	14.5	M6x1x25	4400	3000	3.13	
60	UE212	199.90	110	66.6	26	2.5	25.4	39.7	7.7	103.0	17.4	M8x1.25x25	5350	3700	4.54	

INTERCHANGES: VB-2 INS-DL KMB-45 2-T

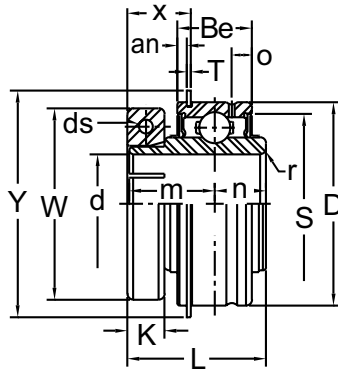


CYLINDRICAL O.D. ACCU-LOC BALL BEARINGS

SUE 200

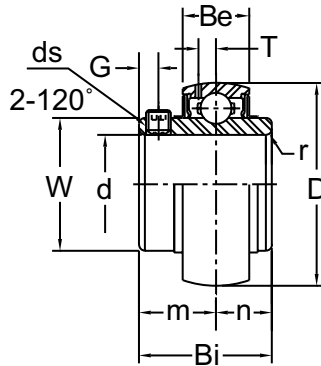
NORMAL DUTY

Concentric Locking
 Single Cap Screw Locking Collar
 Wide Inner Ring
 Steel Cage
 52100 Bearing Steel
 w/Black Oxide Finish
 0°F ~ 212°F
 Contact Seal and Slinger
 Cylindrical O.D.
 Prelubricated / Relubricatable
 Inch and Metric



Shaft Diam. (in.)	AMI Unit #	List Price	Dimensions (in.)														Basic Load Rating (lbf.)		Weight (lb.)		
			D	L	Be	r	O	n	m	W	K	an	T	Y(max)	X	S	ds(UNC)	Dynamic Cr		Static Cor	
3/4	SUE204-12	62.40	1.8504	1.299	5/8	0.059	0.150	13/32	13/16	1.724	0.374	3/32	0.042	2.075	0.715	1.614	8-32	2890	1500	0.64	
	SUE205-16	64.50	2.0472	1.394	3/4	0.059	13/64	33/64	55/64	1.929	0.374	3/32	0.042	2.280	0.671	1.811	8-32	3150	1780	0.82	
1-1/8	SUE206-18	85.30	2.4409	1.567	7/8	0.059	7/32	5/8	7/8	2.185	0.374	1/8	0.065	2.665	0.695	2.138	8-32	4410	2540	1.04	
1-3/16	SUE206-19																				
1-1/4	SUE206-20	113.80	2.8346	1.728	15/16	0.079	7/32	11/16	1	2.421	0.433	1/8	0.065	3.095	0.760	2.500	10-24	5820	3460	1.54	
1-3/8	SUE207-22																				
1-7/16	SUE207-23	116.00	3.1496	1.976	1-3/32	0.079	1/4	3/4	1-3/16	2.677	0.433	1/8	0.065	3.410	0.870	2.728	10-24	6590	4020	2.23	
1-1/2	SUE208-24																				
1-11/16	SUE209-27	131.50	3.3465	1.976	1-3/32	0.079	1/4	3/4	1-3/16	2.913	0.433	1/8	0.065	3.606	0.870	2.925	10-24	7420	4030	2.45	
1-3/4	SUE209-28																				
1-15/16	SUE210-31	143.10	3.5433	2.071	1-1/8	0.079	19/64	3/4	1-9/32	3.189	0.571	1/8	0.095	3.799	0.978	3.138	1/4-20	7940	5220	2.87	
2	SUE211-32																				
2-3/16	SUE211-35	167.20	3.9370	2.228	1-3/16	0.098	19/64	7/8	1-5/16	3.189	0.571	1/8	0.095	4.193	0.978	3.571	1/4-20	9700	6610	3.46	
2-7/16	SUE212-39																				
			Dimensions (mm)														Basic Load Rating (kgf.)				
20	SUE204	61.30	47	33.0	15.9	1.5	3.8	10.3	20.6	43.8	9.5	2.38	1.07	52.7	18.2	41.0	M4x0.7	1310	680	0.64	
25	SUE205	63.50	52	35.4	19.0	1.5	5.2	13.1	21.8	49.0	9.5	2.38	1.07	57.9	17.0	46.0		M5x0.8	1430	800	0.82
30	SUE206	64.50	62	39.8	22.2	1.5	5.6	15.9	22.2	55.5	9.5	3.18	1.65	67.7	17.6	54.3			2000	1150	1.04
35	SUE207	111.20	72	43.9	23.8	2.0	5.6	17.5	25.4	64.0	11.0	3.18	1.65	78.6	19.3	63.5	M5x0.8	2640	1570	1.54	
40	SUE208	115.30	80	50.2	27.8	2.0	6.4	19.0	30.2	68.0	11.0	3.18	1.65	86.6	22.1	69.3		2990	1830	2.23	
45	SUE209	133.20	85	50.2	27.8	2.0	6.4	19.0	30.2	74.0	11.0	3.18	1.65	91.6	22.1	74.3	M6x1	3350	2090	2.45	
50	SUE210	143.80	90	52.6	28.6	2.0	7.5	19.0	32.5	81.0	14.5	3.18	2.41	96.5	24.8	79.7		3600	2370	2.87	
55	SUE211	184.70	100	56.6	30.2	2.5	7.5	22.2	33.3	92.0	14.5	3.18	2.41	106.5	24.8	90.7	M6x1.25	4400	3000	3.46	
60	SUE212	199.90	110	66.6	31.8	2.5	7.5	25.4	39.7	103.0	17.4	3.18	2.41	116.6	30.9	100		5350	3700	5.03	

INTERCHANGES: ER-K ER-T



**Set-Screw (120°) Locking
Wide Inner Ring
Steel Cage
52100 Bearing Steel
0°F ~ 212°F
Contact Seal and Slinger
Prelubricated / Relubricatable
Inch and Metric**

MEDIUM DUTY

Shaft Diam. (in.) d	AMI Unit #	List Price	Dimensions (in.)										Basic Load Rating (lbf.)		Weight (lb.)
			D	Bi	Be	r	n	m	G	ds(UNF)	T	W	Dynamic Cr	Static Cor	
1	UCX05-16	53.70	2.4409	1.500	0.748	0.059	0.626	0.874	0.197	1/4-28	0.201	1.594	4410	2540	0.82
1-1/8	UCX06-18	61.50	2.8346	1.689	0.787	0.059	0.689	1.000	0.236	5/16-24	0.228	1.890	5820	3460	1.01
1-3/16	UCX06-19														
1-1/4	UCX06-20														
1-1/4	UCX07-20	76.50	3.1496	1.937	0.827	0.079	0.748	1.189	0.315	5/16-24	0.244	2.087	6590	4020	1.63
1-3/8	UCX07-22														
1-7/16	UCX07-23														
1-1/2	UCX08-24	85.20	3.3465	1.937	0.866	0.079	0.748	1.189	0.315	5/16-24	0.256	2.256	7420	4610	1.76
1-5/8	UCX09-26														
1-11/16	UCX09-27														
1-3/4	UCX09-28	96.90	3.5433	2.031	0.906	0.079	0.748	1.283	0.354	3/8-24	0.256	2.480	7980	5220	2.03
1-7/8	UCX10-30														
1-15/16	UCX10-31														
2	UCX10-32	116.20	3.9370	2.189	0.945	0.079	0.874	1.315	0.354	3/8-24	0.287	2.756	9700	6610	2.67
2	UCX11-32														
2-3/16	UCX11-35														
2-1/4	UCX11-36	157.80	4.3307	2.563	1.024	0.098	1.000	1.563	0.394	3/8-24	0.303	3.031	11800	8120	3.79
2-3/8	UCX12-38														
2-7/16	UCX12-39														
2-1/2	UCX13-40	186.00	4.7244	2.563	1.063	0.098	1.000	1.563	0.394	3/8-24	0.327	3.232	12900	9000	4.34
2-11/16	UCX14-43														
2-3/4	UCX14-44														
2-11/16	UCX14-43	223.50	4.9213	2.937	1.142	0.098	1.189	1.748	0.472	7/16-20	0.343	3.425	14000	9900	5.14
2-11/16	UCX14-43														
2-3/4	UCX14-44														
2-15/16	UCX15-47	244.00	5.1181	3.063	1.181	0.098	1.311	1.752	0.472	7/16-20	0.362	3.602	14900	10800	5.66
3	UCX15-48														
3-3/16	UCX16-51														
3-3/16	UCX16-51	299.00	5.5118	3.252	1.260	0.098	1.311	1.941	0.472	7/16-20	0.378	3.878	16300	11900	7.10
3-1/4	UCX17-52														
3-7/16	UCX17-55														
3-1/2	UCX18-56	363.00	5.9055	3.374	1.339	0.118	1.343	2.031	0.472	7/16-20	0.413	4.134	18700	13900	8.40
3-1/4	UCX17-52														
3-7/16	UCX17-55														
3-1/2	UCX18-56	429.00	6.2992	3.780	1.417	0.118	1.563	2.217	0.472	1/2-20	0.437	4.390	21500	16100	10.65
3-1/2	UCX18-56														
3-15/16	UCX20-63														
4	UCX20-64	745.00	7.4803	4.626	1.654	0.138	1.937	2.689	0.630	5/8-18	0.512	5.217	30200	23600	19.92
			Dimensions (mm)										Basic Load Rating (kgf.)		
25	UCX05	53.70	62	38.1	19	1.5	15.9	22.2	5	M6x0.75	5.1	40.5	2000	1150	0.83
30	UCX06	61.50	72	42.9	20	1.5	17.5	25.4	6	M8x1	5.8	48	2640	1570	1.03
35	UCX07	76.50	80	49.2	21	2	19	30.2	8	M8x1	6.2	53	2990	1830	1.65
40	UCX08	85.20	85	49.2	22	2	19	30.2	8	M8x1	6.5	57.3	3350	2090	1.78
45	UCX09	96.90	90	51.6	23	2	19	32.6	9	M10x1.25	6.5	63	3600	2370	2.05
50	UCX10	116.20	100	55.6	24	2	22.2	33.4	9	M10x1.25	7.3	70	4400	3000	2.70
55	UCX11	157.80	110	65.1	26	2.5	25.4	39.7	10	M10x1.25	7.7	77	5350	3700	3.84
60	UCX12	186.00	120	65.1	27	2.5	25.4	39.7	10	M10x1.25	8.3	82.1	5850	4100	4.39
65	UCX13	223.50	125	74.6	29	2.5	30.2	44.4	12	M12x1.5	8.7	87	6350	4500	5.20
70	UCX14	244.00	130	77.8	30	2.5	33.3	44.5	12		9.2	91.5	6750	4900	5.73
75	UCX15	299.00	140	82.6	32	2.5	33.3	49.3	12	M12x1.5	9.6	98.5	7400	5400	7.18
80	UCX16	363.00	150	85.7	34	3	34.1	51.6	12		10.5	105	8500	6300	8.50
85	UCX17	429.00	160	96	36	3	39.7	56.3	12	M12x1.5	11.1	111.5	9750	7300	10.8
90	UCX18	571.00	170	104	38	3	42.9	61.1	14	M14x1.5	11.9	118	11100	8350	12.3
100	UCX20	745.00	190	117.5	42	3.5	49.2	68.3	16	M16x1.5	13	132.5	13700	10700	20.2

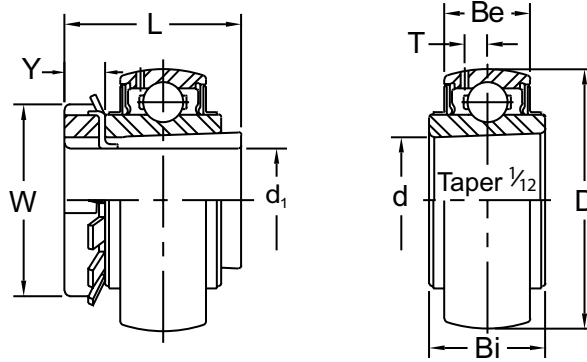
INTERCHANGES: VS-3 INS-SCM GYM1-KRRB B350 MB-35 YAR2 UCX 3-



BALL BEARINGS

UK X00+H

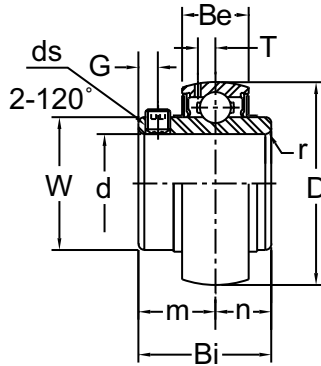
Tapered Adapter Sleeve
Wide Inner Ring
Steel Cage
52100 Bearing Steel
0°F ~ 212°F
Contact Seal and Slinger
Prelubricated / Relubricatable
Inch and Metric



Shaft Diam. (in.) d ₁	AMI Unit #	List Price	Dimensions (in.)								Basic Load Rating (lbf.)		Weight (lb.)
			D	L	d	Bi	Be	T	Y	W	Dynamic Cr	Static Cor	
3/4	UKX05+HE2305	62.90	2.4409	1.378	0.9843	1.024	0.748	0.201	0.315	1.496	4410	2540	0.83
13/16	UKX05+HA2305												
7/8	UKX06+HS2306	71.00	2.8346	1.496	1.1811	1.063	0.787	0.228	0.315	1.772	5820	3460	1.20
15/16	UKX06+HA2306												
1	UKX06+HE2306	86.15	3.1496	1.693	1.3780	1.142	0.827	0.244	0.354	2.047	6590	4020	1.56
1-1/8	UKX07+HS2307												
1-3/16	UKX07+HA2307	94.60	3.3465	1.811	1.5748	1.181	0.866	0.256	0.394	2.283	7420	4610	1.81
1-1/4	UKX08+HE2308												
1-5/16	UKX08+HA2308	106.20	3.5433	1.969	1.7717	1.220	0.906	0.256	0.433	2.559	7980	5220	2.10
1-3/8	UKX08+HS2308												
1-7/16	UKX09+HA2309	127.70	3.9370	2.165	1.9685	1.299	0.945	0.287	0.472	2.756	9700	6610	2.72
1-1/2	UKX09+HE2309												
1-5/8	UKX09+HS2309	160.20	4.3307	2.323	2.1654	1.417	1.024	0.303	0.472	2.953	11800	8120	3.43
1-7/8	UKX10+HA2310												
1-11/16	UKX10+HE2310	193.10	4.7244	2.441	2.3622	1.496	1.063	0.327	0.512	3.150	12900	9000	4.21
1-3/4	UKX11+HS2311												
1-7/8	UKX11+HS2311	247.00	4.9213	2.559	2.5591	1.575	1.142	0.343	0.551	3.346	14000	9900	4.66
1-15/16	UKX11+HA2311												
2	UKX11+HE2311	326.60	5.5118	2.874	2.9528	1.732	1.260	0.378	0.591	3.858	16300	11900	7.25
2-1/16	UKX12+HA2312												
2-1/8	UKX12+HS2312	400.20	5.9055	3.071	3.1496	1.811	1.339	0.413	0.669	4.134	18700	13900	8.61
2-3/16	UKX13+HA2313												
2-1/4	UKX13+HE2313	471.40	6.2992	3.228	3.3465	1.929	1.417	0.437	0.709	4.331	21500	16100	10.6
2-3/8	UKX13+HS2313												
2-7/16	UKX15+HA2315	632.90	6.6929	3.386	3.5433	2.047	1.496	0.469	0.709	4.724	24500	18400	11.4
2-1/2	UKX15+HE2315												
2-3/4	UKX16+HE2316	825.80	7.4803	3.819	3.9370	2.283	1.654	0.512	0.787	5.118	30200	23600	18.1
2-15/16	UKX17+HA2317												
3	UKX17+HE2317	632.90	6.6929	3.386	3.5433	2.047	1.496	0.469	0.709	4.724	24500	18400	11.4
3-1/8	UKX18+HS2318												
3-7/16	UKX20+HA2320	825.80	7.4803	3.819	3.9370	2.283	1.654	0.512	0.787	5.118	30200	23600	18.1
3-1/2	UKX20+HE2320												

		Dimensions (mm)								Basic Load Rating (kgf.)			
	AMI Unit #	List Price	D	L	d	Bi	Be	T	Y	W	Dynamic Cr	Static Cor	Weight (lb.)
20	UKX05+H2305	62.90	62	35	25	26	19	5.1	8	38	2000	1150	0.83
25	UKX06+H2306	71.00	72	38	30	27	20	5.8	8	45	2640	1570	1.20
30	UKX07+H2307	86.15	80	43	35	29	21	6.2	9	52	2990	1830	1.56
35	UKX08+H2308	94.60	85	46	40	30	22	6.5	10	58	3350	2090	1.81
40	UKX09+H2309	106.20	90	50	45	31	23	6.5	11	65	3600	2370	2.10
45	UKX10+H2310	127.70	100	55	50	33	24	7.3	12	70	4400	3000	2.72
50	UKX11+H2311	160.20	110	59	55	36	26	7.7	12	75	5350	3700	3.43
55	UKX12+H2312	193.10	120	62	60	38	27	8.3	13	80	5850	4100	4.21
60	UKX13+H2313	247.00	125	65	65	40	29	8.7	14	85	6350	4500	4.66
65	UKX15+H2315	326.60	140	73	75	44	32	9.6	15	98	7400	5400	7.25
70	UKX16+H2316	400.20	150	78	80	46	34	10.5	17	105	8500	6300	8.61
75	UKX17+H2317	471.40	160	82	85	49	36	11.1	18	110	9750	7300	10.6
80	UKX18+H2318	632.90	170	86	90	52	38	11.9	18	120	11100	8350	11.4
90	UKX20+H2320	825.80	190	97	100	58	42	13	20	130	13700	10700	18.1

INTERCHANGES: UKX



**Set-Screw (120°) Locking
Wide Inner Ring
Steel Cage
52100 Bearing Steel
0°F ~ 212°F
Contact Seal and Slinger
Prelubricated / Relubricatable
Inch and Metric**

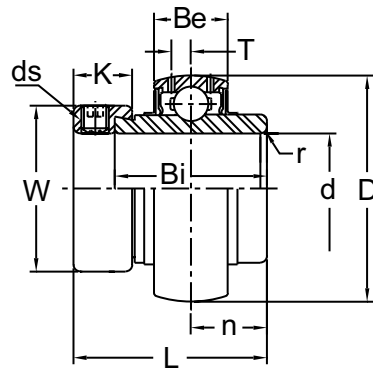
HEAVY DUTY

Shaft Diam. (in.) d	AMI Unit #	List Price	Dimensions (in.)										Basic Load Rating (lbf.)		Weight (lb.)
			D	Bi	Be	r	n	m	G	ds(UNF)	T	W	Dynamic Cr	Static Cor	
1	UC305-16	69.40	2.4409	1.496	0.827	0.079	0.591	0.906	0.236	1/4-28	0.240	1.453	4780	2450	0.97
1-3/16	UC306-19	78.70	2.8346	1.693	0.906	0.079	0.669	1.024	0.236	1/4-28	0.264	1.772	6020	3370	1.23
1-1/4	UC307-20	92.90	3.1496	1.890	0.984	0.098	0.748	1.142	0.315	5/16-24	0.291	1.988	7530	4320	1.56
1-7/16	UC307-23														
1-1/2	UC308-24	114.70	3.5433	2.047	1.063	0.098	0.748	1.299	0.394	3/8-24	0.323	2.205	9150	5380	2.20
1-11/16	UC309-27	146.90	3.9370	2.244	1.181	0.098	0.866	1.378	0.394	3/8-24	0.354	2.480	11570	6630	2.82
1-3/4	UC309-28														
1-7/8	UC310-30	181.50	4.3307	2.402	1.260	0.118	0.866	1.535	0.472	7/16-20	0.394	2.776	13900	8600	3.64
1-15/16	UC310-31														
2	UC311-32	227.20	4.7244	2.598	1.339	0.118	0.984	1.614	0.472	7/16-20	0.421	3.012	16100	10100	4.56
2-3/16	UC311-35														
2-7/16	UC312-39	276.20	5.1181	2.795	1.417	0.138	1.024	1.772	0.472	1/2-20	0.453	3.248	18300	11700	5.71
2-1/2	UC313-40	328.80	5.5118	2.953	1.496	0.138	1.181	1.772	0.472	1/2-20	0.480	3.484	20800	13500	6.94
2-11/16	UC314-43	466.20	5.9055	3.071	1.575	0.138	1.299	1.772	0.472	1/2-20	0.512	3.748	23400	15200	8.44
2-3/4	UC314-44														
2-15/16	UC315-47	515.80	6.2992	3.228	1.654	0.138	1.260	1.969	0.551	9/16-18	0.543	3.996	25600	17300	10.12
3	UC315-48	554.50													
3-3/16	UC316-51	706.50	6.6929	3.386	1.732	0.138	1.339	2.047	0.551	9/16-18	0.571	4.252	27650	19400	11.90
3-1/4	UC317-52	860.20	7.0866	3.780	1.811	0.157	1.575	2.205	0.630	5/8-18	0.591	4.508	29700	21700	14.50
3-7/16	UC318-55	1459.10	7.4803	3.780	1.890	0.157	1.575	2.205	0.630	5/8-18	0.626	4.764	32200	24000	16.18
3-1/2	UC318-56	950.40													
3-3/4	UC319-60	1066.60	7.8740	4.055	1.969	0.157	1.614	2.441	0.630	5/8-18	0.657	5.020	34400	26600	19.17
3-15/16	UC320-63	1299.10	8.4646	4.252	2.126	0.157	1.654	2.598	0.709	3/4-16	0.709	5.335	39000	31500	23.80
4	UC320-64														
4-7/16	UC322-71	1744.40	9.4488	4.606	2.362	0.157	1.811	2.795	0.709	3/4-16	0.827	5.984	46100	40200	31.90
			Dimensions (mm)										Basic Load Rating (kgf.)		
25	UC305	69.40	62	38	21	2	15	23	6	M6x0.75	6.1	36.9	2170	1120	0.98
30	UC306	78.70	72	43	23	2	17	26	6	M6x0.75	6.7	45	2730	1530	1.25
35	UC307	92.90	80	48	25	2.5	19	29	8	M8x1	7.4	50.5	3400	1960	1.58
40	UC308	114.70	90	52	27	2.5	19	33	10	M10x1.25	8.2	56	4150	2440	2.23
45	UC309	146.90	100	57	30	2.5	22	35	10	M10x1.25	9	63	5250	3000	2.85
50	UC310	181.50	110	61	32	3	22	39	12	M12x1.5	10	70.5	6300	3900	3.68
55	UC311	227.20	120	66	34	3	25	41	12		10.7	76.5	7300	4600	4.62
60	UC312	276.20	130	71	36	3.5	26	45	12	M12x1.5	11.5	82.5	8300	5300	5.78
65	UC313	328.80	140	75	38	3.5	30	45	12		12.2	88.5	9450	6100	7.02
70	UC314	466.20	150	78	40	3.5	33	45	12	M12x1.5	13	95.2	10600	6930	8.54
75	UC315	554.50	160	82	42	3.5	32	50	14	M14x1.5	13.8	101.5	11600	7840	10.3
80	UC316	706.50	170	86	44	3.5	34	52	14	M14x1.5	14.5	108	12540	8800	12.1
85	UC317	860.20	180	96	46	4	40	56	16		15	114.5	13500	9800	14.7
90	UC318	950.40	190	96	48	4	40	56	16	M16x1.5	15.9	121	14600	10900	16.4
95	UC319	1066.60	200	103	50	4	41	62	16		16.7	127.5	15600	12100	19.4
100	UC320	1299.10	215	108	54	4	42	66	18		18	135.5	17700	14300	24.1
105	UC321	1601.80	225	112	56	4	44	68	18	M18x1.5	19	142	18700	15600	27.2
110	UC322	1744.40	240	117	60	4	46	71	18		21	152	20900	18230	31.9
120	UC324	2343.50	260	126	64	4	51	75	18	M18x1.5	22	165	21100	18900	41.3
130	UC326	2939.90	280	135	68	5	54	81	20	M20x1.5	23	178	23400	21900	51.3
140	UC328	3821.30	300	145	73	5	59	86	20	M20x1.5	25	191.5	26000	25100	63.6

INTERCHANGES: UG3-L UC3



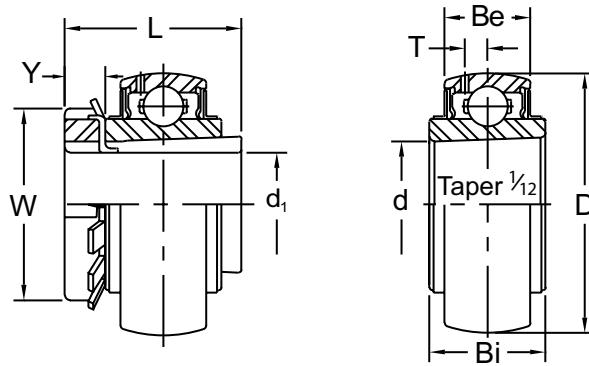
Eccentric Locking
Wide Inner Ring
Steel Cage
52100 Bearing Steel
0°F ~ 212°F
Contact Seal and Slinger
Prelubricated / Relubricatable
Inch and Metric



Shaft Diam. (in.) d	AMI Unit #	List Price	Dimensions (in.)										Basic Load Rating (lbf.)		Weight (lb.)
			D	L	Bi	Be	r	n	T	W	K	ds(UNF)	Dynamic Cr	Static Cor	
1-7/16	UG307-23	142.00	3.1496	2.031	1.500	0.984	0.098	0.720	0.291	2.150	0.689	3/8-24	7530	4320	1.60
1-1/2	UG308-24	176.50	3.5433	2.248	1.626	1.063	0.098	0.780	0.323	2.484	0.783	3/8-24	9150	5380	2.60
1-11/16	UG309-27	210.30	3.9370	2.311	1.689	1.181	0.098	0.780	0.354	2.740	0.783	3/8-24	11570	6630	3.20
1-15/16	UG310-31	260.20	4.3307	2.622	1.937	1.260	0.118	0.969	0.394	2.976	0.846	3/8-24	13900	8600	4.20
2-3/16	UG311-35	338.80	4.7244	2.874	2.189	1.339	0.118	1.094	0.421	3.252	0.874	7/16-20	16100	10100	5.20
2-7/16	UG312-39	446.80	5.1181	3.126	2.437	1.417	0.138	1.220	0.453	3.469	0.941	7/16-20	18300	11700	6.20
2-11/16	UG314-43	597.75	5.9055	3.626	2.689	1.575	0.138	1.342	0.512	3.984	1.189	9/16-18	23400	15300	10.0
2-15/16 3	UG315-47 UG315-48	677.00	6.2992	3.937	2.937	1.654	0.138	1.469	0.543	4.409	1.252	5/8-18	25600	17300	12.4 12.0
			Dimensions (mm)										Basic Load Rating (kgf.)		
45	UG309	210.30	100	58.7	42.9	30.0	2.5	19.8	9.0	69.6	19.9	M10x1.25	5250	3000	3.2
50	UG310	260.20	110	66.6	49.2	32.0	3.0	24.6	10.0	75.6	21.5	M10x1.25	6300	3900	4.0
55	UG311	338.80	120	73.0	55.6	34.0	3.0	27.8	10.7	82.6	22.2	M12x1.5	7300	4600	5.2
60	UG312	446.80	130	79.4	61.9	36.0	3.5	31.0	11.5	88.1	23.9	M12x1.5	8300	5300	6.4
70	UG314	597.75	150	92.1	68.3	40.0	3.5	34.1	13.0	101.2	30.2	M14x1.5	10600	6930	9.8
75	UG315	677.00	160	100.0	74.6	42.0	3.5	37.3	13.8	112.0	31.8	M16x1.5	11600	7840	12.2
90	UG318	847.70	190	115.9	87.3	48.0	4.0	43.6	15.9	132.7	35.0	M18x1.5	14600	10900	19.8

INTERCHANGES: GN-KRRB UEL3

HEAVY DUTY



**Tapered Adapter Sleeve
Wide Inner Ring
Steel Cage
52100 Bearing Steel
0°F ~ 212°F
Contact Seal and Slinger
Prelubricated / Relubricatable
Inch and Metric**

HEAVY DUTY

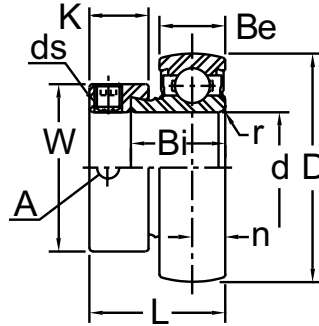
Shaft Diam. (in.) d ₁	AMI Unit #	List Price	Dimensions (in.)								Basic Load Rating (lb.)		Weight (lb.)	
			D	L	d	Bi	Be	T	Y	W	Dynamic Cr	Static Cor		
3/4	UK305+HE2305	67.10	2.4409	1.378	0.9843	1.024	0.827	0.240	0.315	1.496	4780	2450	1.06	
15/16	UK306+HA2306	81.20	2.8346	1.496	1.1811	1.142	0.906	0.264	0.315	1.772	6020	3370	1.30	
1	UK306+HE2306													
1-1/8	UK307+HS2307	96.05	3.1496	1.693	1.3780	1.220	0.984	0.291	0.354	2.047	7530	4320	1.63	
1-3/16	UK307+HA2307													
1-1/4	UK308+HE2308	115.80	3.5433	1.811	1.5748	1.339	1.063	0.323	0.394	2.283	9150	5380	2.23	
1-5/16	UK308+HA2308													
1-3/8	UK308+HS2308													
1-7/16	UK309+HA2309	144.55	3.9370	1.969	1.7717	1.457	1.181	0.354	0.433	2.559	11570	6630	2.89	
1-1/2	UK309+HE2309													
1-5/8	UK309+HS2309													
1-11/16	UK310+HA2310	176.95	4.3307	2.165	1.9685	1.575	1.260	0.394	0.472	2.756	13900	8600	3.70	
1-3/4	UK310+HE2310													
1-7/8	UK311+HS2311	224.00	4.7244	2.323	2.1654	1.693	1.339	0.421	0.472	2.953	16100	10100	4.54	
1-15/16	UK311+HA2311													
2	UK311+HE2311													
2-1/8	UK312+HS2312	269.75	5.1181	2.441	2.3622	1.811	1.417	0.453	0.512	3.150	18300	11700	5.58	
2-3/16	UK313+HA2313													
2-1/4	UK313+HE2313	328.25	5.5118	2.559	2.5591	1.890	1.496	0.480	0.551	3.346	20800	13500	6.77	
2-3/8	UK313+HS2313													
2-7/16	UK315+HA2315	464.65	6.2992	2.874	2.9528	2.126	1.654	0.543	0.591	3.858	25600	17300	10.45	
2-1/2	UK315+HE2315													
2-11/16	UK316+HA2316	544.55	6.6929	3.071	3.1496	2.244	1.732	0.571	0.669	4.134	27650	19400	12.39	
2-3/4	UK316+HE2316													
2-15/16	UK317+HA2317	658.25	7.0866	3.228	3.3465	2.362	1.811	0.591	0.709	4.331	29700	21700	14.46	
3	UK317+HE2317													
3-1/8	UK318+HS2318	748.40	7.4803	3.386	3.5433	2.480	1.890	0.626	0.709	4.724	32200	24000	16.57	
3-3/16	UK318+HA2318													
3-1/4	UK319+HE2319	999.90	7.8740	3.543	3.7402	2.598	1.969	0.657	0.748	4.921	34400	26600	19.22	
3-7/16	UK320+HA2320													
3-1/2	UK320+HE2320	1142.35	8.4646	3.819	3.9370	2.835	2.126	0.709	0.787	5.118	39000	31500	23.80	
3-15/16	UK322+HA2322													
4	UK322+HE2322	1606.45	9.4488	4.134	4.3307	3.150	2.362	0.827	0.827	5.709	46100	40200	31.74	
			Dimensions (mm)								Basic Load Rating (kgf.)			
20	UK305+H2305	67.10	62	35	25	26	21	6.1	8	38	2170	1120	1.07	
25	UK306+H2306	81.20	72	38	30	29	23	6.7	8	45	2730	1530	1.32	
30	UK307+H2307	96.05	80	43	35	31	25	7.4	9	52	3400	1960	1.65	
35	UK308+H2308	115.80	90	46	40	34	27	8.2	10	58	4150	2440	2.25	
40	UK309+H2309	144.55	100	50	45	37	30	9.0	11	65	5250	3000	2.92	
45	UK310+H2310	176.95	110	55	50	40	32	10.0	12	70	6300	3900	3.75	
50	UK311+H2311	224.00	120	59	55	43	34	10.7	12	75	7300	4600	4.59	
55	UK312+H2312	269.75	130	62	60	46	36	11.5	13	80	8300	5300	5.64	
60	UK313+H2313	328.25	140	65	65	48	38	12.2	14	85	9450	6100	6.85	
65	UK315+H2315	464.65	160	73	75	54	42	13.8	15	98	11600	7840	10.60	
70	UK316+H2316	544.55	170	78	80	57	44	14.5	17	105	12540	8800	12.6	
75	UK317+H2317	658.25	180	82	85	60	46	15.0	18	110	13500	9800	14.7	
80	UK318+H2318	748.40	190	86	90	63	48	15.9	18	120	14600	10900	16.8	
85	UK319+H2319	999.90	200	90	95	66	50	16.7	19	125	15600	12100	19.5	
90	UK320+H2320	1142.35	215	97	100	72	54	18.0	20	130	17700	14300	24.1	
100	UK322+H2322	1606.45	240	105	110	80	60	21.0	21	145	20900	18230	32.1	
110	UK324+H2324	2022.95	260	112	120	86	64	22.0	22	155	21100	18900	40.2	
115	UK326+H2326	2722.75	280	121	130	92	68	23.0	23	165	23400	21900	52.0	
125	UK328+H2328	3487.00	300	131	140	98	73	25.0	24	180	26000	25100	64.2	

INTERCHANGES: UK3



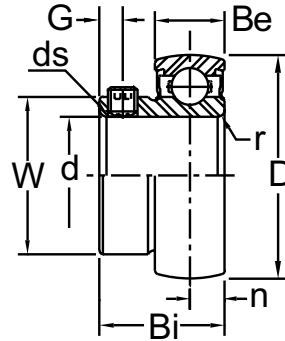
SILVER SERIES BALL BEARINGS U / URE / K / MU 000

Eccentric Locking
Extra Narrow Inner Ring
52100 Bearing Steel
0°F ~ 212°F
Contact Seal
Metric
URE Designates Cylindrical O.D.



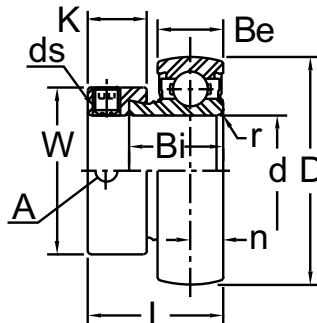
Shaft Diam. (mm)	AMI Unit #	List Price	Dimensions (mm)										Basic Load Rating (kgf.)		Weight (lb.)
			D	L	Bi	Be	r	n	K	W	A	ds	Dynamic Cr	Static Cor	
10	U000	27.10	26	17.5	11	8	0.5	4	8.5	17	3.5		470	200	0.07
12	U001	28.50	28	17.5	11	8	0.5	4	8.5	19	3.5	M4x0.7	520	245	0.08
15	U002	29.60	32	18.5	12	9	0.5	4.5	8.5	22	3.5		570	290	0.11
17	U003	34.40	35	20.5	13.5	10	0.5	5	9.5	25	3.5	M4x0.7	610	335	0.14
20	U004	37.90	42	24.5	16.5	12	1	6	11	30	5	M5x0.8	955	515	0.23
25	U005	44.40	47	25.5	17.5	12	1	6	12	36	5	M5x0.8	1030	595	0.30
30	U006	52.70	55	26.5	18.5	13	1.5	6.5	12	42	5	M5x0.8	1350	845	0.42
35	U007	56.20	62	29.5	20	14	1.5	7	13.5	48	5	M6x0.75	1625	1050	0.56
20 3/4	URE004 URE004-12	37.90	42	24.5	16.5	12	1	6	11	30	5	M5x0.8	955	515	0.23

Set-Screw Locking
Extra Narrow Inner Ring
52100 Bearing Steel
0°F ~ 212°F
Contact Seal
Metric



Shaft Diam. (mm)	AMI Unit #	List Price	Dimensions (mm)								Basic Load Rating (kgf.)		Weight (lb.)
			D	Bi	Be	r	n	G	W	ds	Dynamic Cr	Static Cor	
10	K000	31.50	26	14	8	0.5	4	3	14.75	M3x0.35	470	200	0.05
12	K001	34.40	28	14.5	8	0.5	4	3	17.35	M3x0.35	520	245	0.06
15	K002	35.60	32	16.5	9	0.5	4.5	3.5	20.02	M4x0.50	570	290	0.10
17	K003	37.85	35	17.5	10	0.5	5	3.5	23.10	M4x0.50	610	335	0.11
20	K004	44.20	42	21	12	1	6	4	27.00	M5x0.50	955	515	0.19
25	K005	46.10	47	22.5	12	1	6	4.5	31.70	M5x0.50	1030	595	0.22
30	K006	56.80	55	24.5	13	1.5	6.5	5	38.00	M5x0.50	1350	845	0.32

Eccentric Locking
Extra Narrow Inner Ring
440C Stainless Steel Bearing
0°F ~ 212°F
Contact Seal
Metric



Shaft Diam. (mm)	AMI Unit #	List Price	Dimensions (mm)										Basic Load Rating (kgf.)		Weight (lb.)
			D	L	Bi	Be	r	n	k	W	A	ds	Dynamic Cr	Static Cor	
10	MU000	82.00	26	17.5	11	8	0.5	4	8.5	17	3.5		400	160	0.07
12	MU001		28	17.5	11	8	0.5	4	8.5	19	3.5	M4x0.7	440	195	0.08
15	MU002		32	18.5	12	9	0.5	4.5	8.5	22	3.5		485	230	0.11
17	MU003	86.60	35	20.5	13.5	10	0.5	5	9.5	25	3.5	M4x0.7	520	270	0.14
20	MU004	96.60	42	24.5	16.5	12	1	6	11	30	5	M5x0.8	810	410	0.23
25	MU005	116.30	47	25.5	17.5	12	1	6	12	36	5	M5x0.8	875	475	0.30
30	MU006	149.50	55	26.5	18.5	13	1.5	6.5	12	42	5	M5x0.8	1150	675	0.42

SILVER SERIES